

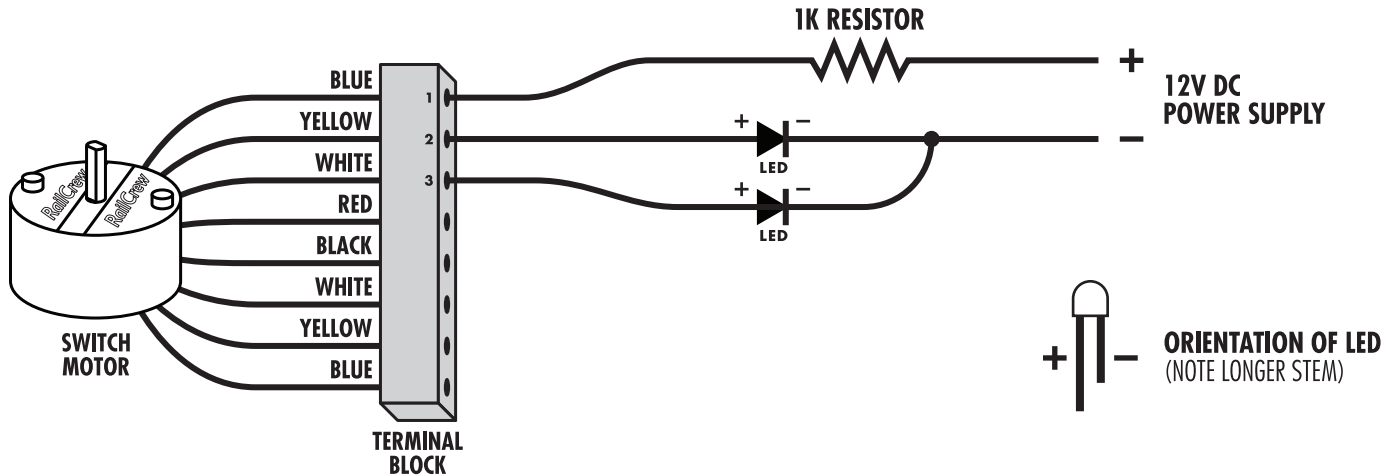


RailCrew SWITCH MACHINE WITH ROTATING TARGET

WIRING FOR SWITCH POSITION INDICATOR OR SIGNAL LIGHTS

NOTE: RailCrew switch machines only act as a means to direct power to the correct terminal based on switch position. Power routed through the machine is not altered by the switch machine in any way and should not exceed 12V DC.

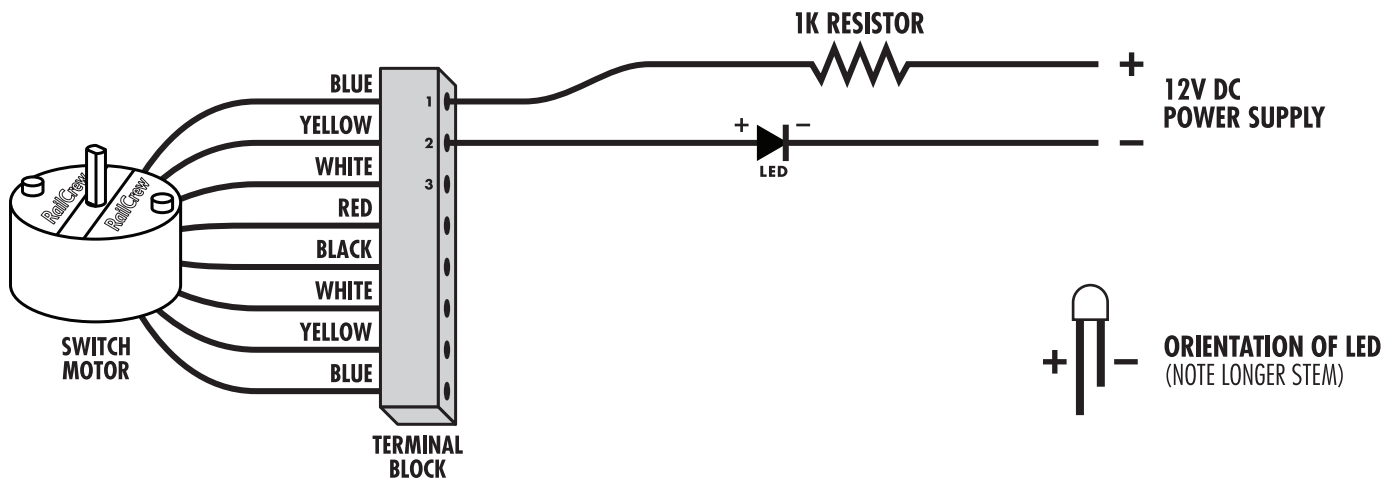
TWO-LIGHT POSITION INDICATOR



NOTES:

- If the indicator lights display the opposite of what is desired, switch the 2nd and 3rd wire connections.
- Typically Red/Green LEDs are used for switch indication. Yellow/Green can also be used and is more common in for non-mainline applications such as yards and sidings.

ONE-LIGHT POSITION INDICATOR (AKA OPEN SWITCH INDICATOR)



NOTES:

- If the indicator light displays when the switch is closed, rather than when the switch is open, change the wire connection from the 2nd to 3rd position.