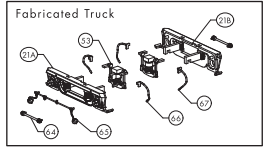
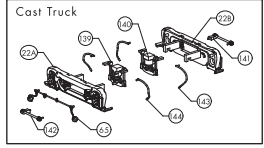
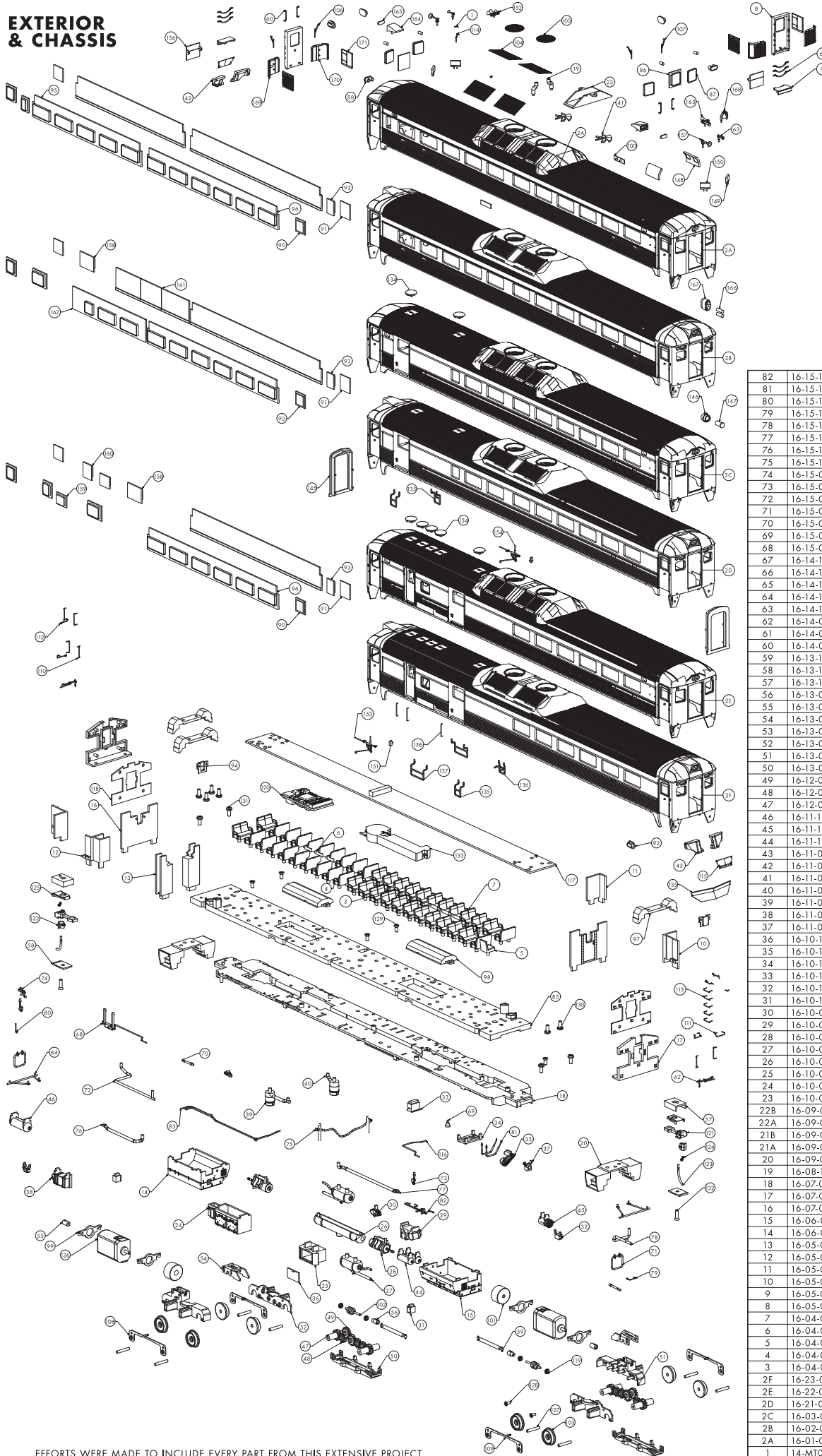


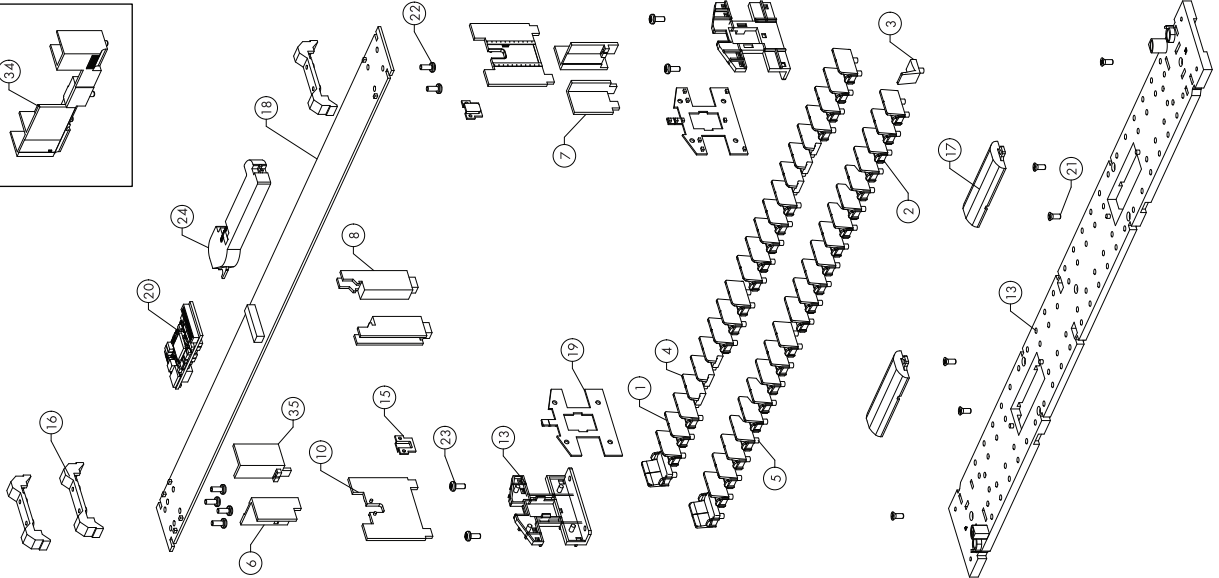
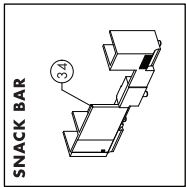
EXTERIOR & CHASSIS



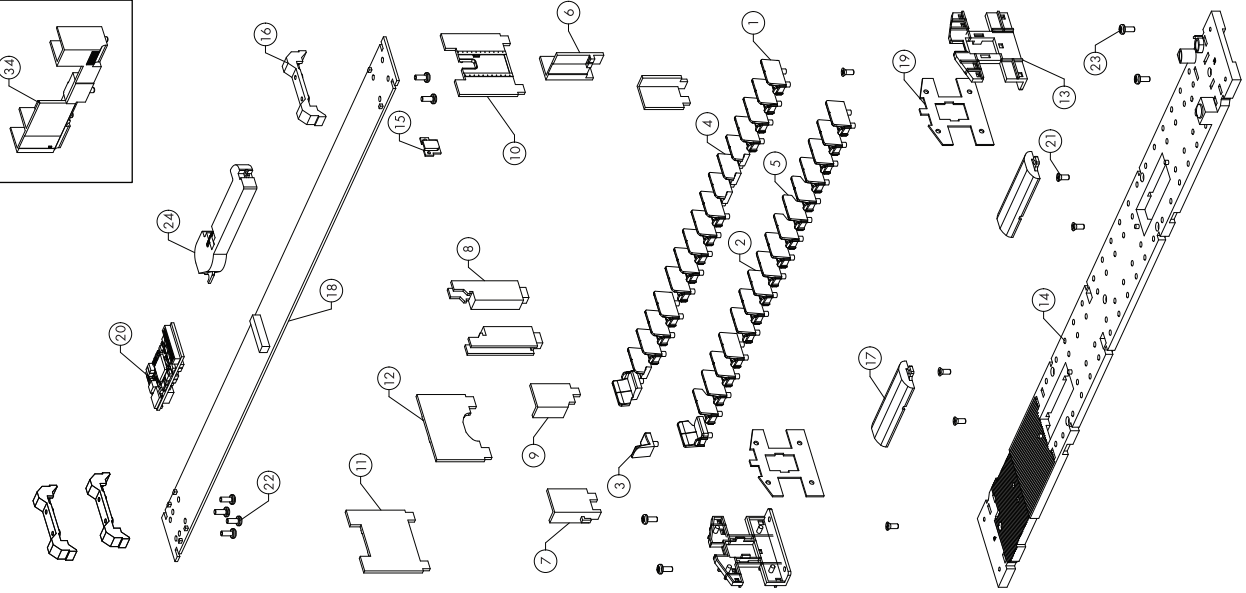
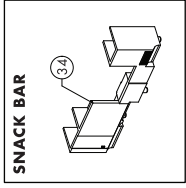
82	16-15-17	1	171	16-08-03	2
81	16-15-16	2	170	16-08-02	2
80	16-15-15	1	169	16-08-01	4
79	16-15-14	1	168	16-27-26	1
78	16-15-13	1	167	16-27-24	1
77	16-15-12	1	166	16-19-04	2
76	16-15-11	1	165	16-18-15	2
75	16-15-10	1	164	16-08-06	2
74	16-15-09	2	163	16-14-10	1
73	16-15-08	2	162	16-20-03	1
72	16-15-07	1	161	16-20-01	1
71	16-15-06	2	160	16-18-12	2
70	16-15-05	2	159	16-18-11	2
69	16-15-04	1	158	16-18-10	2
68	16-15-03	1	157	16-27-29	2
67	16-14-19	4	156	16-27-15	2
66	16-14-18	4	155	16-27-03	2
65	16-14-17	2	154	16-15-02	1
64	16-14-16	4	153	16-15-01	1
63	16-14-12	2	152	16-14-07	1
62	16-14-03	2	151	16-11-05	2
61	16-14-02	6	150	16-27-11	2
60	16-14-01	4	149	16-27-10	2
59	16-13-12	2	148	16-27-08	2
58	16-13-11	2	147	16-18-19	1
57	16-13-10	2	146	16-11-13	1
56	16-13-09	2	145	16-07-08	2
55	16-13-08	2	144	16-14-23	4
54	16-13-07	2	143	16-14-22	4
53	16-13-04	4	142	16-14-21	2
52	16-13-03	2	141	16-14-20	2
51	16-13-02	2	140	16-13-06	2
50	16-13-01	2	139	16-13-05	2
49	16-12-03	4	138	16-MT021	2
48	16-12-02	6	137	16-MT016	1
47	16-12-01	4	136	16-MT015	1
46	16-11-12	1	135	16-MT012	1-2
45	16-11-11	1	134	16-11-09	2-4
44	16-11-10	2	133	SPEAKER	1
43	16-11-08	2	132	SCREW 1.7X6 KB	2
42	16-11-07	2	131	SCREW 1.7X4 PM	4
41	16-11-06	2	130	SCREW 1.7X4 PB	6
40	16-11-04	1	129	SCREW 1.7X4 KB	6
39	16-11-03	1	128	SCREW 1.2X3 CB	4
38	16-11-02	1	127	R1-MT003	8
37	16-11-01	1	126	MOTOR	2
36	16-10-15	1	125	GF-MT003	2
35	16-10-14	1	124	GF-MT002	2
34	16-10-13	1	123	GF-MT001	2
33	16-10-12	1	122	GF-02-02	2
32	16-10-11	2	121	GF-02-01	2
31	16-10-10	2	120	DCC	1
30	16-10-09	1	119	BEARING D1D2H2	4
29	16-10-08	1	118	16-PCB02	2
28	16-10-07	2	117	16-PCB01	1
27	16-10-06	2	116	16-MT024	1
26	16-10-05	1	115	16-MT023	2
25	16-10-04	1	114	16-MT022	1
24	16-10-03	1	113	16-MT020	7
23	16-10-02	1	112	16-MT019	2
22B	16-09-05	2	111	16-MT018	2
22A	16-09-04	2	110	16-MT017	8
21B	16-09-03	2	109	16-MT014	2
21A	16-09-02	2	108	16-MT013	2
20	16-09-01	2	107	16-MT010	2
19	16-08-19	2	106	16-MT009	2
18	16-07-07	1	105	16-MT005	2
17	16-07-06	2	104	16-MT004	4
16	16-07-03	2	103	16-MT003	8
15	16-06-02	1	102	16-MT002	2
14	16-06-01	1	101	16-MT001	2
13	16-05-07	2	100	16-24-04	2
12	16-05-06	1	99	16-24-02	4
11	16-05-05	1	98	16-24-01	2
10	16-05-04	2	97	16-20-02	3
9	16-05-03	2	96	16-19-02	2
8	16-05-01	2	95	16-19-01	2
7	16-04-05	6	94	16-18-16	2
6	16-04-04	6	93	16-18-14	2
5	16-04-03	1	92	16-18-13	4
4	16-04-02	16	91	16-18-09	2
3	16-04-01	16	90	16-18-08	2
2F	16-23-01	1	89	16-18-04	4
2E	16-22-01	1	88	16-18-03	2
2D	16-21-01	1	87	16-18-02	4
2C	16-03-01	1	86	16-18-01	2
2B	16-02-01	1	85	16-16-01	1
2A	16-01-01	1	84	16-15-19	2
1	14-MT005	4	83	16-15-18	1

EFFORTS WERE MADE TO INCLUDE EVERY PART FROM THIS EXTENSIVE PROJECT. IF YOU CAN'T FIND A SPECIFIC PART, PLEASE CONTACT US FOR MORE INFORMATION.

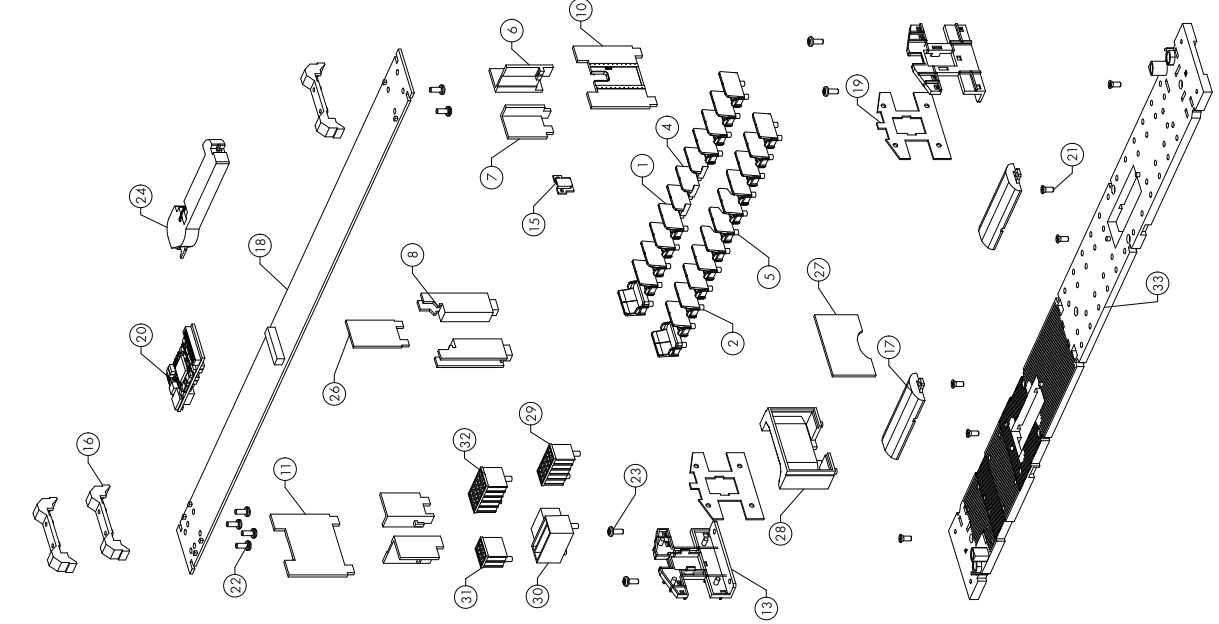
RDC-1 INTERIOR



RDC-2 INTERIOR



RDC-3 INTERIOR



EFFORTS WERE MADE TO INCLUDE EVERY PART FROM THIS EXTENSIVE PROJECT. IF YOU CAN'T FIND A SPECIFIC PART, PLEASE CONTACT US FOR MORE INFORMATION.

35	16-27-02	1
34	16-27-01	1
33	16-17-01	1
32	16-05-08	1
31	16-05-09	1
30	16-05-10	1
29	16-05-11	1
28	16-07-01	1
27	16-07-02	1
26	16-10-16	1
25	16-16-01	1
24	SPEAKER	1
23	SCREW 1.7X4 PM	4
22	SCREW 1.7X4 PB	6
21	SCREW 1.7X4 KB	6
20	DCC	1
19	16-PCB02	2
18	16-PCB01	1
17	16-24-01	2
16	16-20-02	3
15	16-18-16	1-2
14	16-16-02	1
13	16-07-06	2
12	16-07-05	1
11	16-07-04	1
10	16-07-03	1-2
9	16-05-12	1
8	16-05-07	2
7	16-05-05	1-2
6	16-05-04	1-2
5	16-04-05	3-6
4	16-04-04	3-5
3	16-04-03	1
2	16-04-02	9-15
1	16-04-01	9-13

PC NO. PART NAME QTY