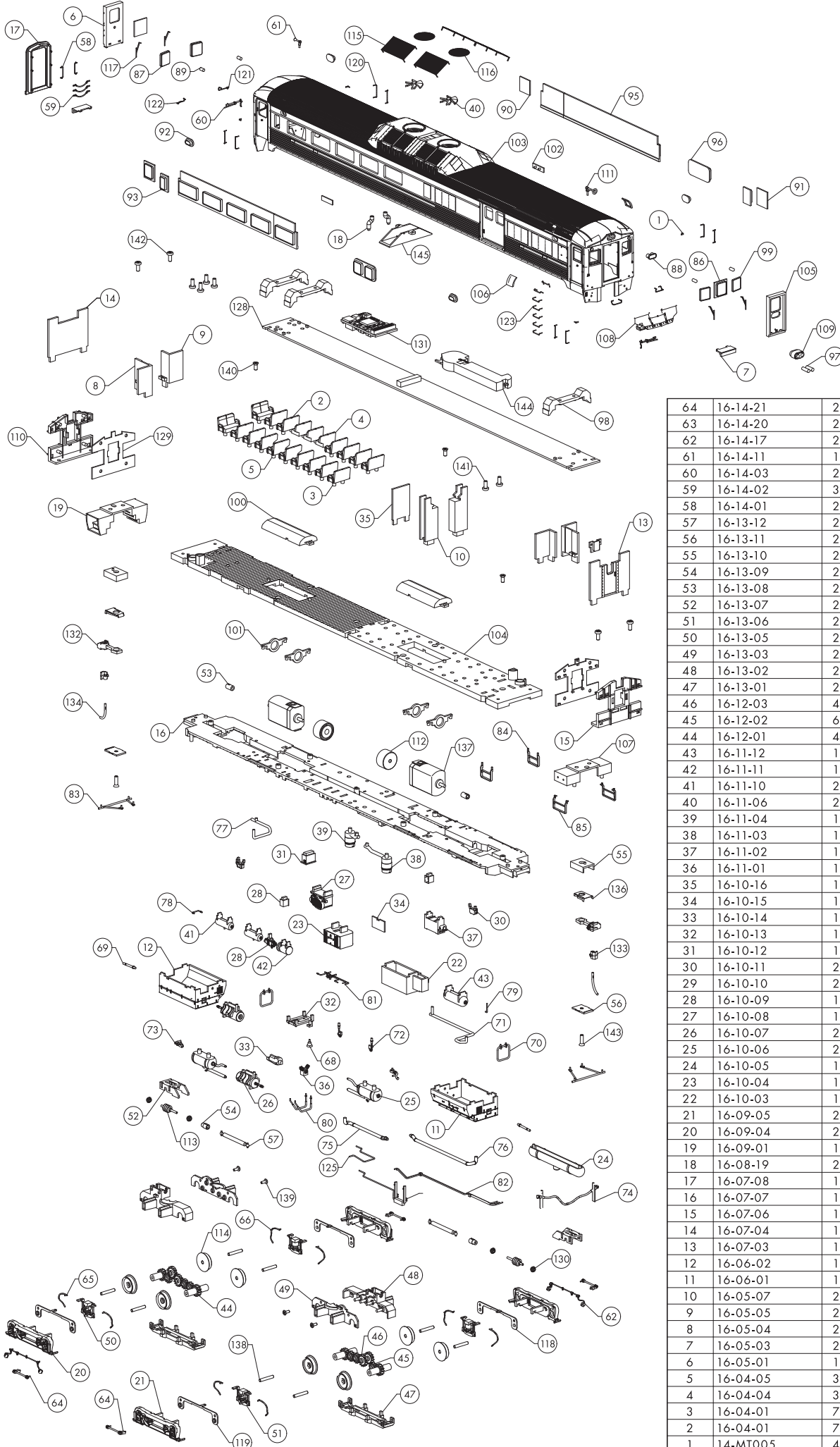


64	16-14-20	2
63	16-14-17	2
62	16-14-11	1
61	16-14-03	2
60	16-14-02	3
59	16-14-01	2
58	16-13-12	2
57	16-13-11	2
56	16-13-10	2
55	16-13-09	2
54	16-13-08	2
53	16-13-07	2
52	16-13-06	2
51	16-13-05	2
50	16-13-03	2
49	16-13-02	2
48	16-13-01	2
47	16-12-03	4
46	16-12-02	6
45	16-12-01	4
44	16-11-12	1
43	16-11-11	1
42	16-11-10	2
41	16-11-06	2
40	16-11-04	1
39	16-11-03	1
38	16-11-02	1
37	16-11-01	1
36	16-10-15	1
35	16-10-14	1
34	16-10-13	1
33	16-10-12	1
32	16-10-11	2
31	16-10-10	2
30	16-10-09	1
29	16-10-08	1
28	16-10-07	2
27	16-10-06	2
26	16-10-05	1
25	16-10-04	1
24	16-10-03	1
23	16-10-02	1
22	16-09-05	2
21	16-09-04	2
20	16-09-01	1
19	16-08-19	2
18	16-07-08	1
17	16-07-07	1
16	16-07-06	1
15	16-07-03	2
14	16-06-02	1
13	16-06-01	1
12	16-05-07	2
11	16-05-05	1
10	16-05-04	2
9	16-05-03	2
8	16-05-01	1
7	16-04-05	6
6	16-04-04	6
5	16-04-03	1
4	16-04-02	18
3	16-04-01	14
2	16-01-07	1
1	14-MT005	4

144	SPEAKER	1
145	SCREW 1.7X6 KB	2
144	SCREW 1.7X4 PM	4
143	SCREW 1.7X4 PB	6
142	SCREW 1.7X4 KB	6
141	SCREW 1.7X4 CB	4
140	R1-MT003	8
139	MOTOR	2
138	GF-MT003	2
137	GF-MT002	2
136	GF-MT001	2
135	GF-02-02	2
134	GF-02-01	2
133	DCC	1
132	BEARING DID2H2	4
131	16-PCB02 V1	1
130	16-PCB02	1
129	16-PCB01	1
128	16-MT024	1
127	16-MT022	1
126	16-MT020	7
125	16-MT019	2
124	16-MT018	2
123	16-MT017	8
122	16-MT014	2
121	16-MT013	2
120	16-MT009	4
119	16-MT005	2
118	16-MT004	4
117	16-MT003	8
116	16-MT002	2
115	16-MT001	2
114	16-27-29	1
113	16-27-25	1
112	16-27-24	1
111	16-27-23	1
110	16-27-22	1
109	16-27-21	2
108	16-27-13	1
107	16-27-12	1
106	16-27-09	2
105	16-27-05	1
104	16-27-02	1
103	16-24-04	2
102	16-24-02	4
101	16-24-01	2
100	16-20-04	2
99	16-20-02	3
98	16-19-04	2
97	16-19-02	2
96	16-19-01	2
95	16-18-16	2
94	16-18-14	2
93	16-18-13	4
92	16-18-09	2
91	16-18-08	2
90	16-18-04	4
89	16-18-03	1
88	16-18-02	2
87	16-18-01	2
86	16-16-01	1
85	16-15-22	2
84	16-15-19	2
83	16-15-18	1
82	16-15-17	1
81	16-15-16	2
80	16-15-15	1
79	16-15-14	1
78	16-15-13	1
77	16-15-12	1
76	16-15-11	1
75	16-15-10	1
74	16-15-09	2
73	16-15-08	2
72	16-15-07	1
71	16-15-06	2
70	16-15-05	2
69	16-15-04	1
68	16-15-03	1
67	16-14-23	4
66	16-14-22	4
65	16-14-22	2

PC NO PART NAME QTY

PC NO PART NAME QTY



64	16-14-21	2
63	16-14-20	2
62	16-14-17	2
61	16-14-11	1
60	16-14-03	2
59	16-14-02	3
58	16-14-01	2
57	16-13-12	2
56	16-13-11	2
55	16-13-10	2
54	16-13-09	2
53	16-13-08	2
52	16-13-07	2
51	16-13-06	2
50	16-13-05	2
49	16-13-03	2
48	16-13-02	2
47	16-13-01	2
46	16-12-03	4
45	16-12-02	6
44	16-12-01	4
43	16-11-12	1
42	16-11-11	1
41	16-11-10	2
40	16-11-06	2
39	16-11-04	1
38	16-11-03	1
37	16-11-02	1
36	16-11-01	1
35	16-10-16	1
34	16-10-15	1
33	16-10-14	1
32	16-10-13	1
31	16-10-12	1
30	16-10-11	2
29	16-10-10	2
28	16-10-09	1
27	16-10-08	1
26	16-10-07	2
25	16-10-06	2
24	16-10-05	1
23	16-10-04	1
22	16-10-03	1
21	16-09-05	2
20	16-09-04	2
19	16-09-01	1
18	16-08-19	2
17	16-07-08	1
16	16-07-07	1
15	16-07-06	1
14	16-07-04	1
13	16-07-03	1
12	16-06-02	1
11	16-06-01	1
10	16-05-07	2
9	16-05-05	2
8	16-05-04	2
7	16-05-03	2
6	16-05-01	1
5	16-04-05	3
4	16-04-04	3
3	16-04-01	7
2	16-04-01	7
1	14-MT005	4

145	16-10-02	2
144	SPEAKER	1
143	SCREW 1.7X6 KB	4
142	SCREW 1.7X4 PM	2
141	SCREW 1.7X4 PB	6
140	SCREW 1.7X4 KB	7
139	SCREW 1.2X3 CB	4
138	R1-MT003	8
137	MOTOR	2
136	GF-MT003	2
135	GF-MT002	2
134	GF-MT001	2
133	GF-02-02	2
132	GF-02-01	2
131	DCC	1
130	BEARING DID2H2	4
129	16-PCB02 V1	2
128	16-PCB01	1
127	16-MT035	2
126	16-MT034	2
125	16-MT024	1
124	16-MT022	1
123	16-MT020	7
122	16-MT019	2
121	16-MT018	2
120	16-MT017	8
119	16-MT014	2
118	16-MT013	2
117	16-MT009	2
116	16-MT005	2
115	16-MT004	4
114	16-MT003	8
113	16-MT002	2
112	16-MT001	2
111	16-27-29	1
110	16-27-25	1
109	16-27-24	1
108	16-27-13	1
107	16-27-12	1
106	16-27-09	2
105	16-27-05	1
104	16-26-01	1
103	16-25-01	1
102	16-24-04	2
101	16-24-02	4
100	16-24-01	2
99	16-20-04	2
98	16-20-02	3
97	16-19-04	2
96	16-19-03	2
95	16-19-02	2
94	16-18-16	1
93	16-18-14	3
92	16-18-13	4
91	16-18-09	2
90	16-18-08	2
89	16-18-04	4
88	16-18-03	1
87	16-18-02	2
86	16-18-01	2
85	16-15-22	2
84	16-15-21	2
83	16-15-19	2
82	16-15-18	1
81	16-15-17	1
80	16-15-16	2
79	16-15-15	1
78	16-15-14	1
77	16-15-13	1
76	16-15-12	1
75	16-15-11	1
74	16-15-10	1
73	16-15-09	2
72	16-15-08	2
71	16-15-07	1
70	16-15-06	2
69	16-15-05	2
68	16-15-04	1
67	16-15-03	1
66	16-14-23	4
65	16-14-22	4

PC NO PART NAME QTY

PC NO PART NAME QTY