

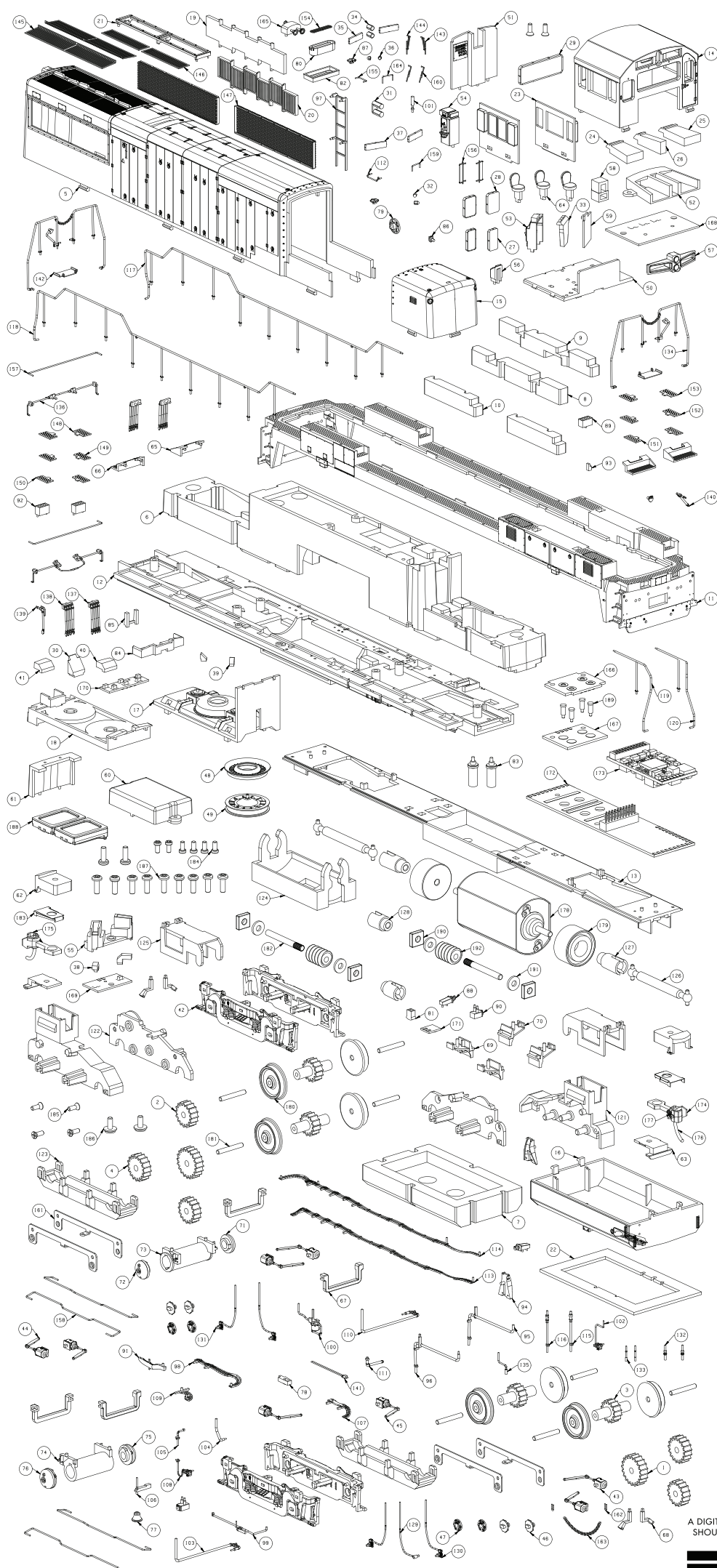
HO SCALE

GENERAL ELECTRIC

U25B
LOW NOSE



LOK SOUND
EST. 1999

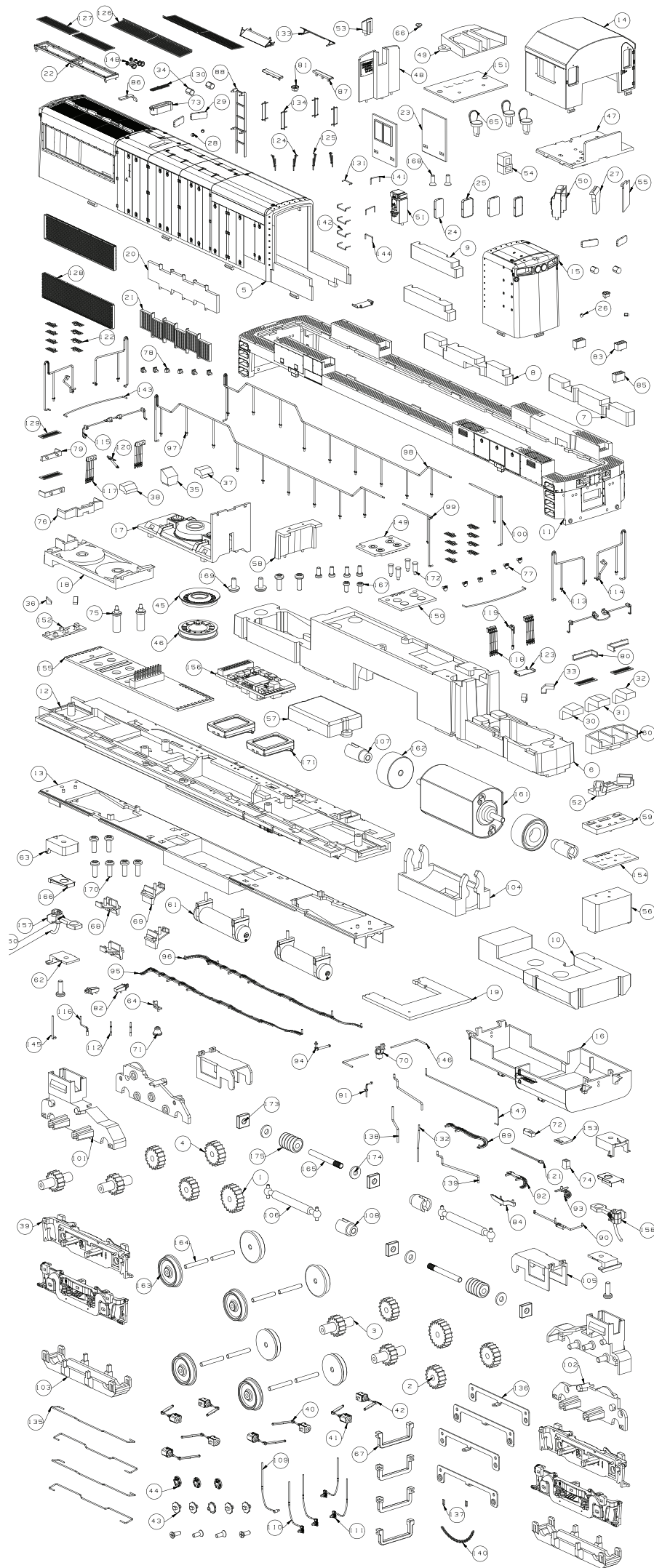


PC NO	PART NAME	QTY
1	2-10-01	2
2	2-10-02	4
3	2-10-03	4
4	2-10-04	2
5	35-01-02	1
6	35-02-01	1
7	35-02-02	1
8	35-02-03	1
9	35-02-04	1
10	35-02-05	2
11	35-03-02	1
12	35-04-01	1
13	35-04-02	1
14	35-05-01	1
15	35-06-01	1
16	35-07-01	1
17	35-07-03	1
18	35-07-04	1
19	35-07-06	1
20	35-07-07	1
21	35-07-08	1
22	35-07-09	1
23	35-08-02	2
24	35-08-03	1
25	35-08-04	1
26	35-08-05	1
27	35-08-06	2
28	35-08-07	2
29	35-08-08	1
30	35-08-09	1
31	35-08-10	1
32	35-08-14	2
33	35-08-15	1
34	35-08-16	2
35	35-08-17	2
36	35-08-18	2
37	35-08-20	2
38	35-08-24	2
39	35-08-28	2
40	35-08-29	1
41	35-08-30	1
42	35-09-01	4
43	35-09-02	4
44	35-09-03	3
45	35-09-04	1
46	35-09-06	4
47	35-09-07	4
48	35-10-01	1
49	35-10-02	1
50	35-10-03	1
51	35-10-04	1
52	35-10-05	1
53	35-10-06	1
54	35-10-07	1
55	35-10-08	1
56	35-10-10	1
57	35-10-11	1
58	35-10-12	1
59	35-10-13	1
60	35-10-16	1
61	35-10-17	1
62	35-11-02	2
63	35-11-03	2
64	35-11-07	3
65	35-11-08	2
66	35-11-09	2
67	35-11-11	4
68	35-11-13	4
69	35-11-14	2
70	35-11-15	2
71	35-12-01	1
72	35-12-02	1
73	35-12-03	1
74	35-12-04	1
75	35-12-05	1
76	35-12-07	1
77	35-12-09	1
78	35-12-10	1
79	35-12-11	1
80	35-12-12	1
81	35-12-14	1
82	35-12-15	1
83	35-13-01	2
84	35-13-02	1
85	35-13-03	1
86	35-13-04	2
87	35-13-08	2
88	35-13-10	2
89	35-13-11	1
90	35-13-12	2
91	35-13-13	1
92	35-13-14	2
93	35-13-18	1
94	35-13-19	2
95	35-14-01	1
96	35-14-02	1

PC NO	PART NAME	QTY
97	35-14-03	1
98	35-14-04	1
99	35-14-05	1
100	35-14-06	1
101	35-14-07	1
102	35-14-08	1
103	35-14-09	1
104	35-14-10	1
105	35-14-11	1
106	35-14-12	1
107	35-14-13	1
108	35-14-14	1
109	35-14-15	1
110	35-14-16	1
111	35-14-18	1
112	35-14-20	1
113	35-15-02	1
114	35-15-03	1
115	35-15-04	1
116	35-15-05	1
117	35-16-01	1
118	35-16-02	1
119	35-16-03	1
120	35-16-04	1
121	35-18-01	2
122	35-18-02	2
123	35-18-03	2
124	35-18-04	1
125	35-18-05	2
126	35-18-06	2
127	35-18-07	2
128	35-18-08	2
129	35-19-01	1
130	35-19-02	2
131	35-19-03	2
132	35-19-04	2
133	35-19-05	2
134	35-19-06	2
135	35-19-10	1
136	35-19-14	2
137	35-20-03	2
138	35-20-04	2
139	35-20-05	1
140	35-20-06	1
141	35-LIGHT	1
142	35-MT002	2
143	35-MT003	1
144	35-MT004	1
145	35-MT005	2
146	35-MT006	2
147	35-MT007	2
148	35-MT008	2
149	35-MT009	2
150	35-MT010	2
151	35-MT011	2
152	35-MT012	2
153	35-MT013	2
154	35-MT016	1
155	35-MT017	1
156	35-MT020	2
157	35-MT021	2
158	35-MT022	4
159	35-MT024	1
160	35-MT025	2
161	35-MT026	4
162	35-MT027	2
163	35-MT030	1
164	35-MT031	1
165	35-MT042	1
166	35-PCB01	1
167	35-PCB02	1
168	35-PCB03	1
169	35-PCB04	1
170	35-PCB05	1
171	35-PCB06	1
172	35-PCB09	1
173	DCC	1
174	GF-02-01	2
175	GF-02-02	2
176	GF-MT001	2
177	GF-MT002 V2	2
178	MOTOR I 801	1
179	R1-MT001	2
180	R1-MT002	8
181	R1-MT003	8
182	R1-MT004	2
183	RTR301-MT001	2
184	SCREW 1,4X3 PB	6
185	SCREW 1,4X4 KB	6
186	SCREW 1,7X4 PWB	2
187	SCREW 1,7X5 PB	1
188	SPEAKER	2
189	SPRING PIN 5.0	4
190	SQUARE BEARING D25H1.5	4
191	WASHER 0.7MM	4
192	WORM D6.0	2

THIS DRAWING REFLECTS THE MOST COMMON PARTS FOUND ON THIS MODEL. A DIGITAL VERSION OF THIS DOCUMENT IS AVAILABLE FOR DOWNLOAD AT RAPIDOTRAINS.COM. SHOULD YOU NOT BE ABLE TO LOCATE A SPECIFIC PART, PLEASE CONTACT US FOR ASSISTANCE.





HO SCALE
GENERAL ELECTRIC
U25B
HIGH NOSE



LOK SOUND
EST. 1999

PC NO	PART NAME	QTY
1	2-10-01	2
2	2-10-02	4
3	2-10-03	4
4	2-10-04	2
5	35-01-03	1
6	35-02-01	1
7	35-02-03	1
8	35-02-04	1
9	35-02-05	2
10	35-02-06	1
11	35-03-06	1
12	35-04-01	1
13	35-04-02	1
14	35-05-02	1
15	35-06-02	1
16	35-07-02	1
17	35-07-03	1
18	35-07-04	1
19	35-07-05	1
20	35-07-06	1
21	35-07-07	1
22	35-07-08	1
23	35-08-01	2
24	35-08-06	2
25	35-08-07	2
26	35-08-14	2
27	35-08-15	1
28	35-08-18	2
29	35-08-19	4
30	35-08-21	1
31	35-08-22	1
32	35-08-23	1
33	35-08-24	2
34	35-08-25	4
35	35-08-27	1
36	35-08-28	2
37	35-08-29	1
38	35-08-30	1
39	35-09-01	4
40	35-09-02	4
41	35-09-03	3
42	35-09-04	1
43	35-09-06	5
44	35-09-07	3
45	35-10-01	1
46	35-10-02	1
47	35-10-03	1
48	35-10-04	1
49	35-10-05	1
50	35-10-06	1
51	35-10-07	1
52	35-10-09	1
53	35-10-10	1
54	35-10-12	1
55	35-10-13	1
56	35-10-14	1
57	35-10-16	1
58	35-10-17	1
59	35-10-18	1
60	35-10-19	1
61	35-11-01	2
62	35-11-03	2
63	35-11-04	2
64	35-11-06	1
65	35-11-07	3
66	35-11-10	1
67	35-11-11	4
68	35-11-14	2
69	35-11-15	2
70	35-12-06	1
71	35-12-09	1
72	35-12-10	1
73	35-12-12	1
74	35-12-14	1
75	35-13-01	2
76	35-13-02	1
77	35-13-04	8
78	35-13-05	4
79	35-13-06	2
80	35-13-07	2
81	35-13-09	2
82	35-13-10	2
83	35-13-11	1
84	35-13-13	1
85	35-13-14	2
86	35-13-16	1
87	35-13-20	2
88	35-14-03	1

PC NO	PART NAME	QTY
89	35-14-04	1
90	35-14-05	1
91	35-14-11	1
92	35-14-13	1
93	35-14-15	1
94	35-14-18	1
95	35-15-02	1
96	35-15-03	1
97	35-17-01	1
98	35-17-02	1
99	35-17-03	1
100	35-17-04	1
101	35-18-01	2
102	35-18-02	2
103	35-18-03	2
104	35-18-04	1
105	35-18-05	2
106	35-18-06	2
107	35-18-07	2
108	35-18-08	2
109	35-19-01	1
110	35-19-02	2
111	35-19-03	2
112	35-19-05	2
113	35-19-07	2
114	35-19-08	2
115	35-19-09	2
116	35-19-10	1
117	35-20-03	2
118	35-20-04	2
119	35-20-05	1
120	35-20-06	1
121	35-LIGHT	1
122	35-MT001	18
123	35-MT002	2
124	35-MT003	2
125	35-MT004	2
126	35-MT005	2
127	35-MT006	2
128	35-MT007	2
129	35-MT015	4
130	35-MT016	1
131	35-MT017	1
132	35-MT018	1
133	35-MT019	2
134	35-MT020	4
135	35-MT022	4
136	35-MT026	4
137	35-MT027	2
138	35-MT028	1
139	35-MT029	2
140	35-MT030	1
141	35-MT031	2
142	35-MT032	4
143	35-MT033	2
144	35-MT034	1
145	35-MT035	1
146	35-MT036	2
147	35-MT037	1
148	35-MT039	1
149	35-PCB01	1
150	35-PCB02	1
151	35-PCB03	1
152	35-PCB05	1
153	35-PCB06	1
154	35-PCB07	1
155	35-PCB09	1
156	DCC	1
157	6F-02-01	2
158	6F-02-02	2
159	6F-MT001	2
160	6F-MT002 V2	2
161	MOTOR (1801)	1
162	R1-MT001	2
163	R1-MT002	8
164	R1-MT003	8
165	R1-MT004	2
166	RTR301-MT001	2
167	SCREW 1.4X3 PB	6
168	SCREW 1.4X4 KB	6
169	SCREW 1.7X4 PWB	2
170	SCREW 1.7X5 PB	10
171	SPEAKER	2
172	SPRING PIN 5.0	4
173	SQUARE BEARING D2D5H1.5	4
174	WASHER 0.7MM	4
175	WORM D8.0	2

THIS DRAWING REFLECTS THE MOST COMMON PARTS FOUND ON THIS MODEL. A DIGITAL VERSION OF THIS DOCUMENT IS AVAILABLE FOR DOWNLOAD AT RAPIDOTRAINS.COM. SHOULD YOU NOT BE ABLE TO LOCATE A SPECIFIC PART, PLEASE CONTACT US FOR ASSISTANCE.