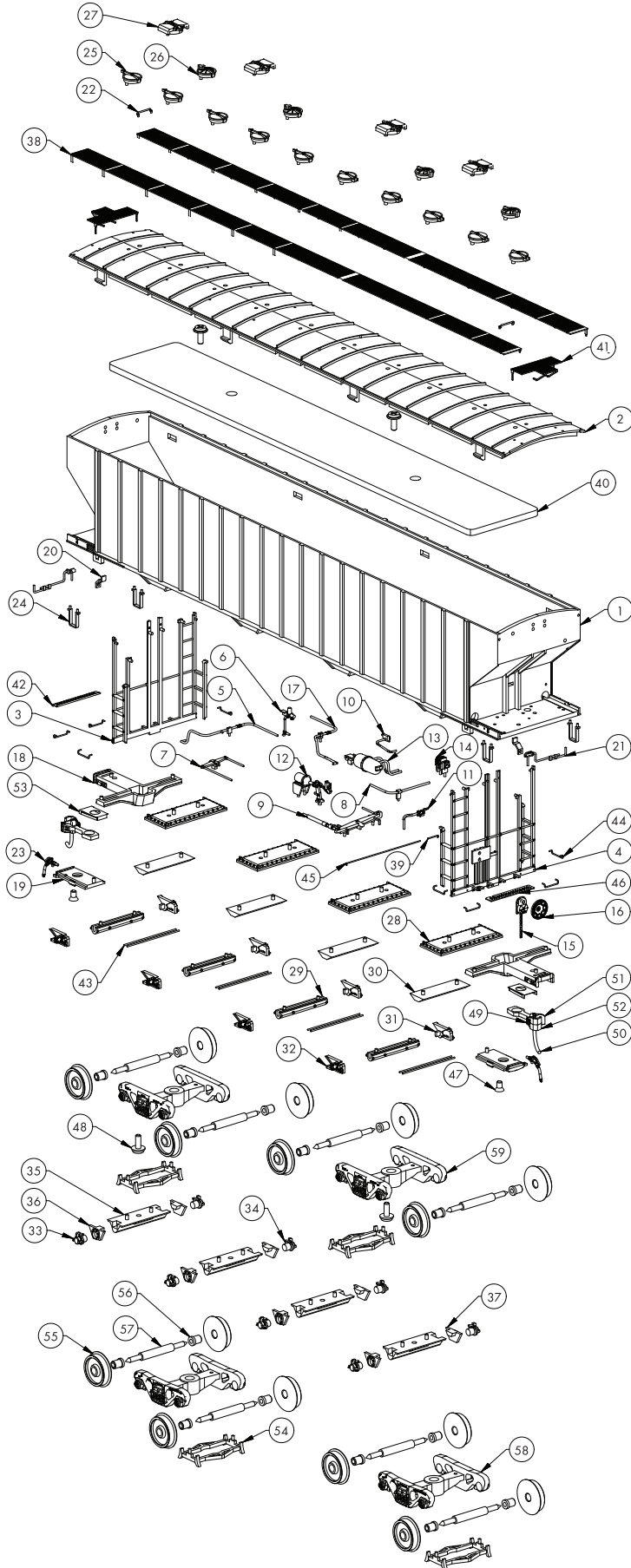


5820cf Covered Hopper



59	157-04-01 (Dofasco)	2
58	157-04-02 (Barber S-2)	2
57	5A-MT003	8
56	157-04-010	16
55	133-MT017	16
54	157-04-03	4
53	GF-06-M001-R1	2
52	GF-06-02	2
51	GF-06-01	2
50	GF-06-M003R1	2
49	GF-06-M002	2
48	Screw 1.7x4.5 PWB	4
47	Screw 1.7x3 KB	2
46	157-MT009	1
45	157-MT008	1
44	157-MT007	8
43	157-MT006	8
42	157-MT005	1
41	157-MT004	2
40	157-MT003	1
39	157-MT002	1
38	157-MT001	2
37	157-05-13	4
36	157-05-12	4
35	157-05-11	4
34	157-05-10	4
33	157-05-09	4
32	157-05-08	4
31	157-05-07	4
30	157-05-06	4
29	157-05-05	4
28	157-05-04	4
27	157-05-03	4
26	157-05-02	4
25	157-05-01	10
24	157-04-11	4
23	157-04-09	2
22	157-04-08	2
21	157-04-07	2
20	157-04-06	2
19	157-04-05	2
18	157-04-04	2
17	157-03-15	1
16	157-03-14	1
15	157-03-13	1
14	157-03-12	1
13	157-03-11	1
12	157-03-10	1
11	157-03-09	1
10	157-03-08	1
9	157-03-07	1
8	157-03-06	1
7	157-03-05	1
6	157-03-04	1
5	157-03-03	1
4	157-03-02	1
3	157-03-01	1
2	157-02-01	1
1	157-01-01	1
PC NO	PART NAME	QTY

EFFORTS HAVE BEEN MADE TO ILLUSTRATE ALL PARTS FOUND ON THIS MODEL.
 A DIGITAL VERSION OF THIS DOCUMENT IS AVAILABLE FOR DOWNLOAD AT RAPIDOTRAINS.COM.
 SHOULD YOU NOT BE ABLE TO LOCATE A SPECIFIC PART, PLEASE CONTACT US FOR ASSISTANCE.