

PRR GLA HOPPERS

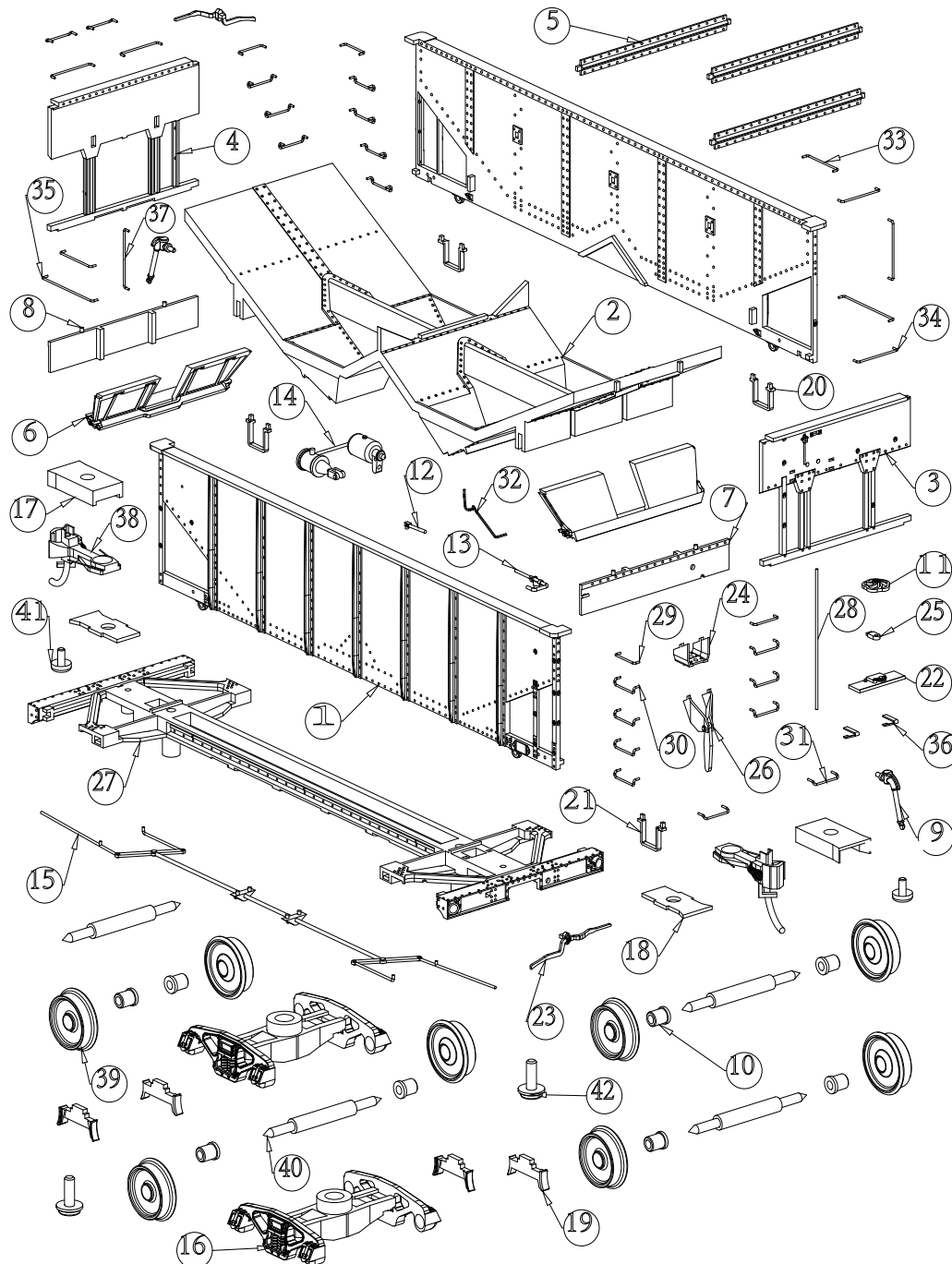
Thank you for purchasing Rapido's HO model of the GLa hopper. These cars feature state-of-the-art tooling with separate grabs, crisp and accurate details and correct trucks with free-rolling turned metal wheelsets.

The Pennsy's GLa class hoppers must surely be one of the most successful freight car designs ever built. The first GLa hoppers were built in 1904, and by the time that construction had stopped the PRR had built nearly 30,000 cars for its own use. These cars had long service lives, with more than 7,000 still in interchange service in 1960. Nearly 200 remained as late as 1965. Many also went into work train service, lasting into the Penn Central era.

In addition to the PRR's fleet, thousands of additional cars were built for independent owners through 1928. Many of these found their way onto the second-hand market and were purchased by railroads such as the Lehigh Valley, B&O, NYO&W and others. Additional cars were built for several other railroads that were near clones of the GLa design

If there are any factory defects on your model we will do our very best to repair or replace it, subject to the availability of replacements and/or spare parts. Please contact us by phone 1-855-LRC-6917 or go to <https://rapidotrains.com/warranty> and send us an message.

PRR GLA HOPPER PARTS DIAGRAM K-BRAKE VERSION



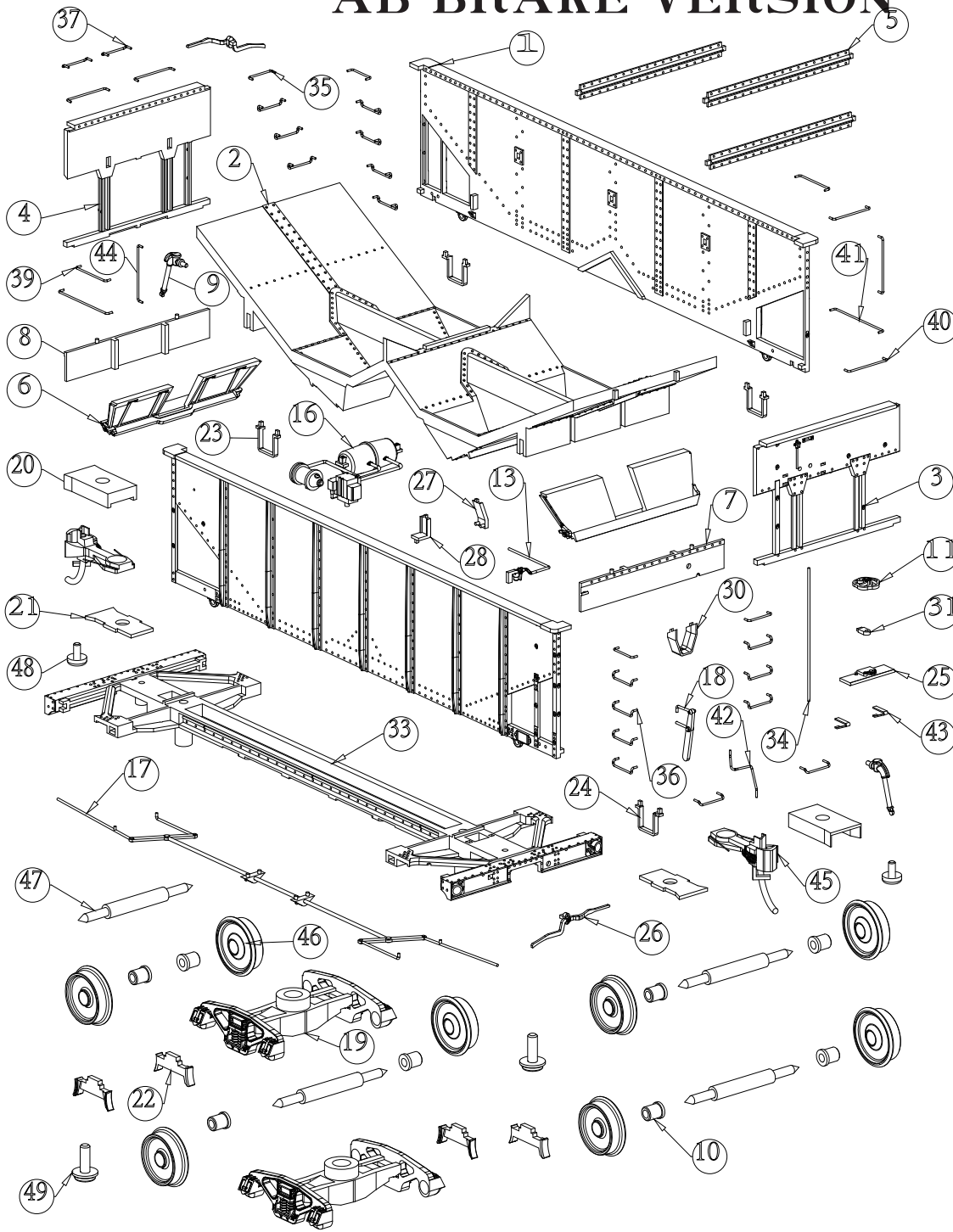
PCNO	PART NAME	QTY
1	148-01-01	2
2	148-02-01	1
3	148-03-01	1
4	148-03-02	1
5	148-03-03	3
6	148-03-04	2
7	148-03-05	1
8	148-03-06	1
9	148-04-01	2
10	148-04-02	8
11	148-04-03	1
12	148-04-04	1
13	148-04-06	1
14	148-04-07	1
15	148-04-09	1
16	148-05-01	2
17	148-05-02	2
18	148-05-03	2
19	148-05-04	4
20	148-05-05	2
21	148-05-06	2
22	148-05-07	1
23	148-05-08	2
24	148-05-12	1
25	148-05-14	1
26	148-05-15	1
27	148-06-01	1
28	148-MT001	1
29	148-MT002	4
30	148-MT003	14
31	148-MT004	4
32	148-MT005	1
33	148-MT006	4
34	148-MT007	2
35	148-MT008	2
36	148-MT011	2
37	148-MT013	2
38	148-MT014	2
39	5A-MT001	8
40	5A-MT003	4
41	SCREW 1.2X2.5 PM	2
42	SCREW 1.7X5 PWB	2



CANADA: 500 ALDEN ROAD, UNIT 21 • MARKHAM, ONTARIO • L3R 5H5
 USA: PO BOX 796 • HIGGANUM • CONNECTICUT • 06441
 Tel. 1-855-LRC-6917 • Fax. 1-905-474-3325 • Email. trains@rapidotrains.com



PRR GLA HOPPER PARTS DIAGRAM AB BRAKE VERSION



PCNO	PART NAME	QTY
1	148-01-01	2
2	148-02-01	1
3	148-03-01	1
4	148-03-02	1
5	148-03-03	3
6	148-03-04	2
7	148-03-05	1
8	148-03-06	1
9	148-04-01	2
10	148-04-02	8
11	148-04-03	1
12	148-04-04	1
13	148-04-05	1
14	148-04-06	1
15	148-04-07	1
16	148-04-08	1
17	148-04-09	1
18	148-04-10	1
19	148-05-01	2
20	148-05-02	2
21	148-05-03	2
22	148-05-04	4
23	148-05-05	2
24	148-05-06	2
25	148-05-07	1
26	148-05-08	2
27	148-05-09	1
28	148-05-10	1
29	148-05-12	1
30	148-05-13	1
31	148-05-14	1
32	148-05-15	1
33	148-06-01	1
34	148-MT001	1
35	148-MT002	4
36	148-MT003	14
37	148-MT004	4
38	148-MT005	1
39	148-MT006	4
40	148-MT007	2
41	148-MT008	2
42	148-MT010	1
43	148-MT011	2
44	148-MT013	2
45	148-MT014	2
46	5A-MT001	8
47	5A-MT003	4
48	SCREW 1.2X2.5 PM	2
49	SCREW 1.7X5 PWB	2



CANADA: 500 ALDEN ROAD, UNIT 21 • MARKHAM, ONTARIO • L3R 5H5
USA: PO BOX 796 • HIGGANUM • CONNECTICUT • 06441
Tel. 1-855-LRC-6917 • **Fax.** 1-905-474-3325 • **Email.** trains@rapidotrains.com

RAPIDO