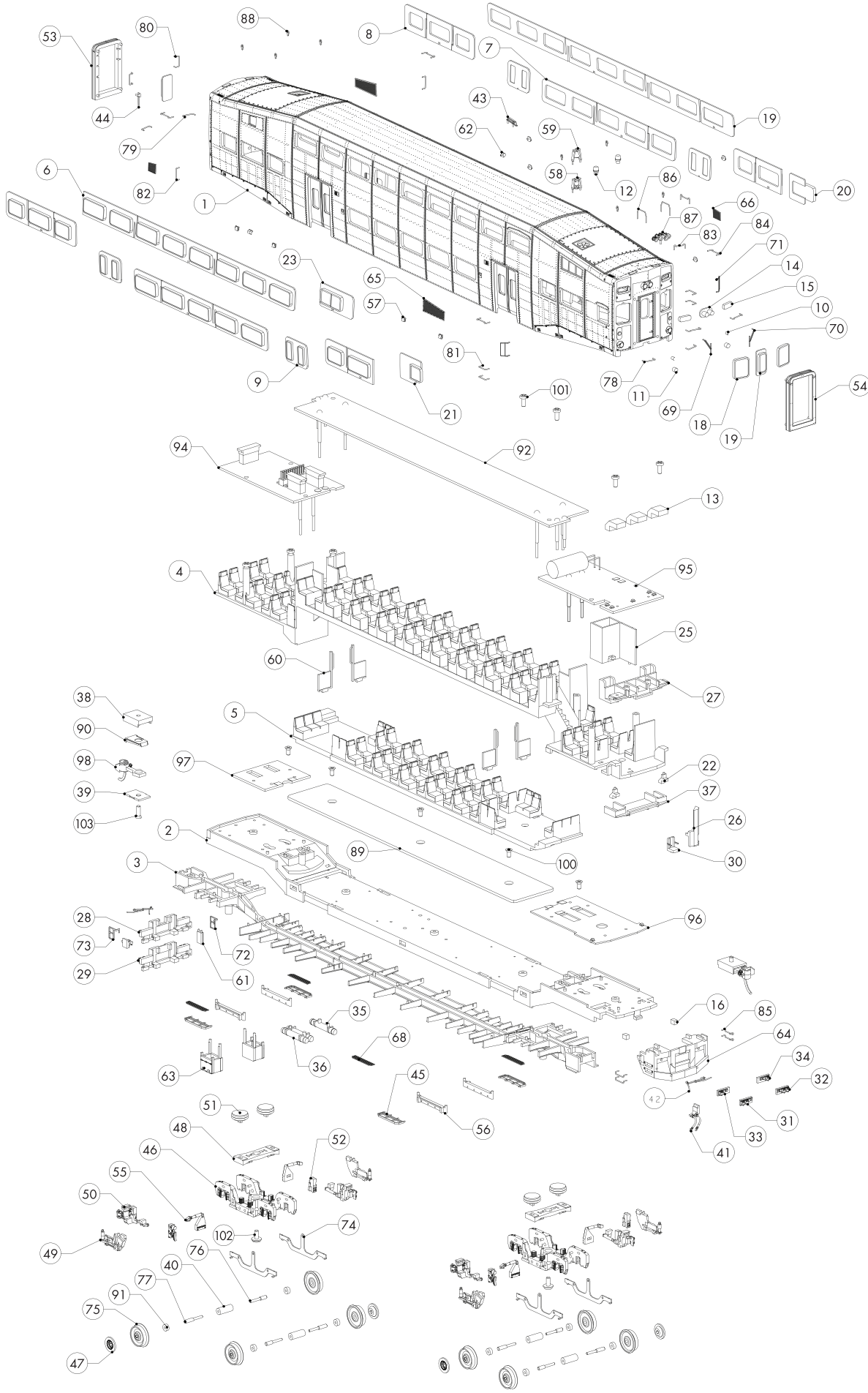


BILEVEL COMMUTER CAB COACH

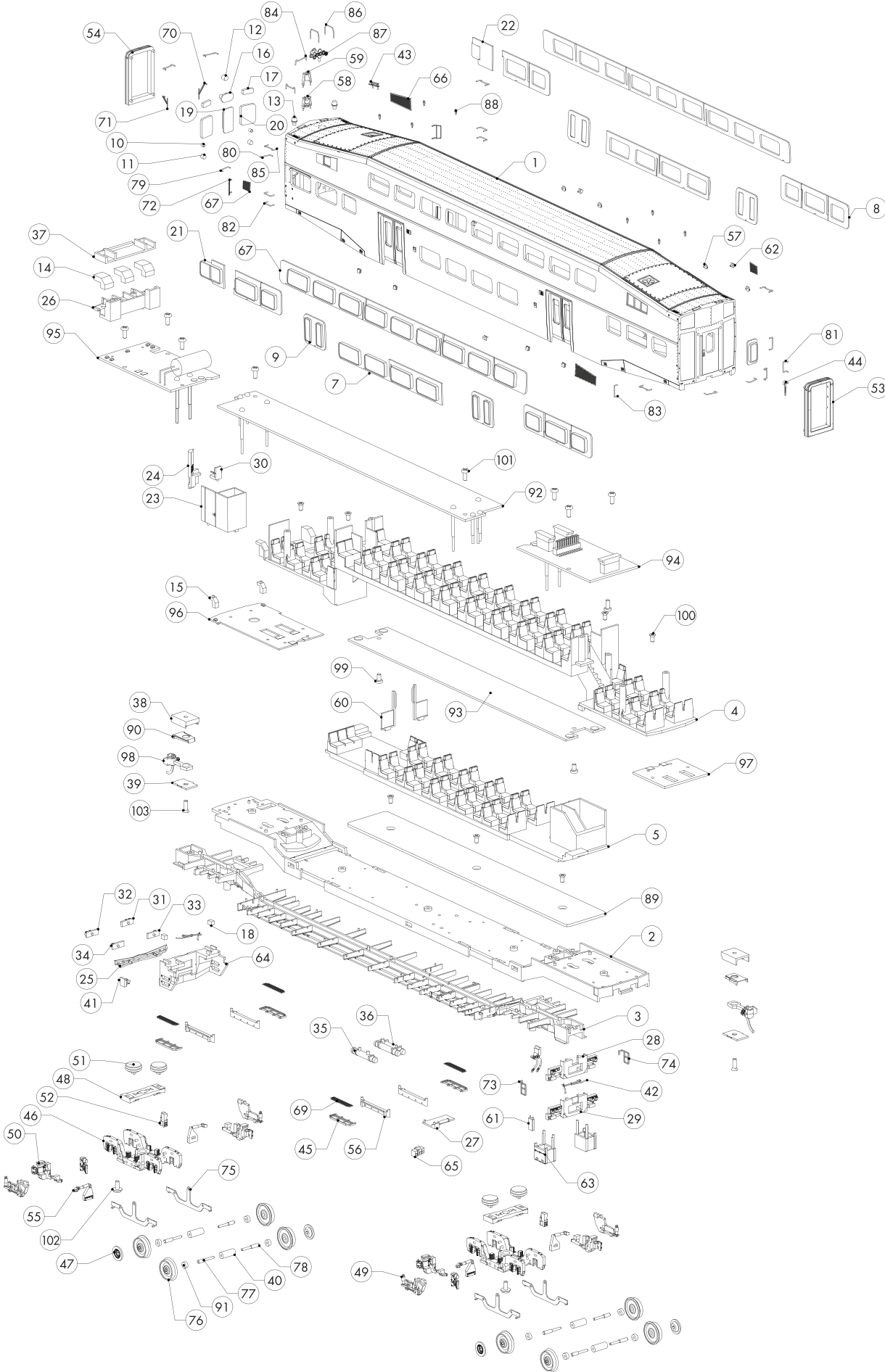


103	SCREW 1.7x5.5 KB	2
102	SCREW 1.7x4 PWB	2
101	SCREW 1.7x4 PB	8
100	SCREW 1.7x3.5 KB	7
99	SCREW 1.7x3 PB	2
98	COUPLER	2
97	146-PCB08	1
96	146-PCB07	1
95	146-PCB05	1
94	146-PCB03	1
93	146-PCB02	1
92	146-PCB01	1
91	146-MT028	8
90	146-MT027	2
89	146-MT026	1
88	146-MT025	8
87	146-MT024	1
86	146-MT023	2
85	146-MT022	4
84	146-MT021	5
83	146-MT020	3
82	146-MT019	2
81	146-MT018	4
80	146-MT017	2
79	146-MT016	2
78	146-MT015	2
77	146-MT014	4
76	146-MT013	4
75	146-MT012	8
74	146-MT011	4
73	146-MT010	1
72	146-MT009	1
71	146-MT008	2
70	146-MT007	1
69	146-MT006	1
68	146-MT005	4
67	146-MT004	2
66	146-MT003	2
65	146-MT002	2
64	146-09-12	1
63	146-09-09	2
62	146-09-08	2
61	146-09-07	1
60	146-09-05	4
59	146-09-04	1
58	146-09-03	1
57	146-09-02	8
56	146-09-01	4
55	146-08-09	4
54	146-08-08	1
53	146-08-07	1
52	146-08-06	4
51	146-08-05	4
50	146-08-04	4
49	146-08-03	4
48	146-08-02	2
47	146-08-01	4
46	146-07-09	2
45	146-07-08	4
44	146-07-07	1
43	146-07-06	1
42	146-07-05	2
41	146-07-04	2
40	146-07-03	4
39	146-07-02	2
38	146-07-01	2
37	146-06-16	1
36	146-06-15	1
35	146-06-14	1
34	146-06-13	1
33	146-06-12	1
32	146-06-11	1
31	146-06-10	1
30	146-06-09	1
29	146-06-07	1
28	146-06-06	1
27	146-06-04	1
26	146-06-02	1
25	146-06-01	1
24	146-05-19	1
23	146-05-19	1
22	146-05-18	2
21	146-05-17	1
20	146-05-16	1
19	146-05-14	1
18	146-05-12	2
17	146-05-11	2
16	146-05-10	2
15	146-05-09	2
14	146-05-08	1
13	146-05-06	3
12	146-05-05	2
11	146-05-03	2
10	146-05-01	2
9	146-04-07	4
8	146-04-05	4
7	146-04-03	2
6	146-04-01	2
5	146-03-06	1
4	146-03-03	1
3	146-02-03	1
2	146-02-01	1
1	146-01-02	1
PC NO.	PART NAME	QTY

THIS DRAWING ILLUSTRATES A STANDARD 5-WINDOW SERIES I CAB COACH. THIS INTERIOR ARRANGEMENT ONLY APPLIES TO SERIES I CARS.

A DIGITAL VERSION OF THIS DOCUMENT IS AVAILABLE FOR DOWNLOAD AT RAPIDOTRAINS.COM. SHOULD YOU NOT BE ABLE TO LOCATE A SPECIFIC PART, PLEASE CONTACT US FOR ASSISTANCE.

BILEVEL COMMUTER CAB COACH



103	SCREW 1.7x5.5 KB	2
102	SCREW 1.7x4 PWB	2
101	SCREW 1.7x4 PB	9
100	SCREW 1.7x3.5 KB	7
99	SCREW 1.7x3 PB	2
98	COUPLER	2
97	146-PCB08	1
96	146-PCB07	1
95	146-PCB05	1
94	146-PCB03	1
93	146-PCB02	1
92	146-PCB01	1
91	146-MT028	8
90	146-MT027	2
89	146-MT026	1
88	146-MT025	8
87	146-MT024	1
86	146-MT023	2
85	146-MT021	5
84	146-MT020	3
83	146-MT019	2
82	146-MT018	4
81	146-MT017	2
80	146-MT016	2
79	146-MT015	2
78	146-MT014	4
77	146-MT013	4
76	146-MT012	8
75	146-MT011	4
74	146-MT010	1
73	146-MT009	1
72	146-MT008	2
71	146-MT007	1
70	146-MT006	1
69	146-MT005	4
68	146-MT004	2
67	146-MT003	2
66	146-MT002	2
65	146-09-14	1
64	146-09-12	1
63	146-09-09	2
62	146-09-08	4
61	146-09-07	1
60	146-09-05	2
59	146-09-04	1
58	146-09-03	1
57	146-09-02	8
56	146-09-01	4
55	146-08-09	4
54	146-08-08	1
53	146-08-07	1
52	146-08-06	4
51	146-08-05	4
50	146-08-04	4
49	146-08-03	4
48	146-08-02	2
47	146-08-01	4
46	146-07-09	2
45	146-07-08	4
44	146-07-07	1
43	146-07-06	1
42	146-07-05	2
41	146-07-04	2
40	146-07-03	4
39	146-07-02	2
38	146-07-01	2
37	146-06-16	1
36	146-06-15	1
35	146-06-14	1
34	146-06-13	1
33	146-06-12	1
32	146-06-11	1
31	146-06-10	1
30	146-06-09	1
29	146-06-07	1
28	146-06-06	1
27	146-06-05	1
26	146-06-04	1
25	146-06-03	1
24	146-06-02	1
23	146-06-01	1
22	146-05-15	1
21	146-05-13	1
20	146-05-12	2
19	146-05-11	2
18	146-05-10	2
17	146-05-09	2
16	146-05-08	1
15	146-05-07	2
14	146-05-06	3
13	146-05-05	2
12	146-05-04	1
11	146-05-03	2
10	146-05-01	2
9	146-04-08	4
8	146-04-06	4
7	146-04-04	2
6	146-04-02	2
5	146-03-07	1
4	146-03-03	1
3	146-02-04	1
2	146-02-02	1
1	146-01-07	1

THIS DRAWING ILLUSTRATES A STANDARD 4-WINDOW SERIES IV CAB COACH. THIS INTERIOR ARRANGEMENT ALSO APPLIES TO SERIES II AND III CARS.
 A DIGITAL VERSION OF THIS DOCUMENT IS AVAILABLE FOR DOWNLOAD AT RAPIDOTRAINS.COM. SHOULD YOU NOT BE ABLE TO LOCATE A SPECIFIC PART, PLEASE CONTACT US FOR ASSISTANCE.