

PRR F30 FLAT CARS

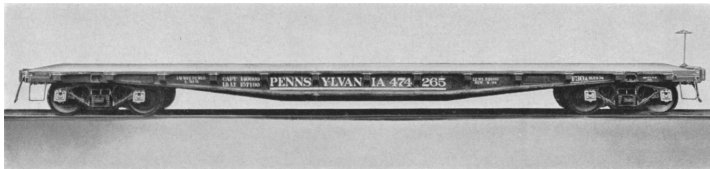


Ron Hawkins Photo

Starting in 1954 the Pennsy converted many F30D flat cars into early piggyback service cars. These cars received perforated side rub rails, end loading ramps and four side posts.

Eighty-six cars were transferred to the new Trailer Train Company (TTX) between 1957 and 1958. These cars received additional upgrades in the form of ACF trailer hitches and revised side rails and upgraded end ramps. The TTX cars also received roller bearing conversions on their trucks. Classified as F30G, these cars were used by TTX into the 1980s, many being upgraded with full roller bearing trucks and many even painted in TTX's yellow scheme.

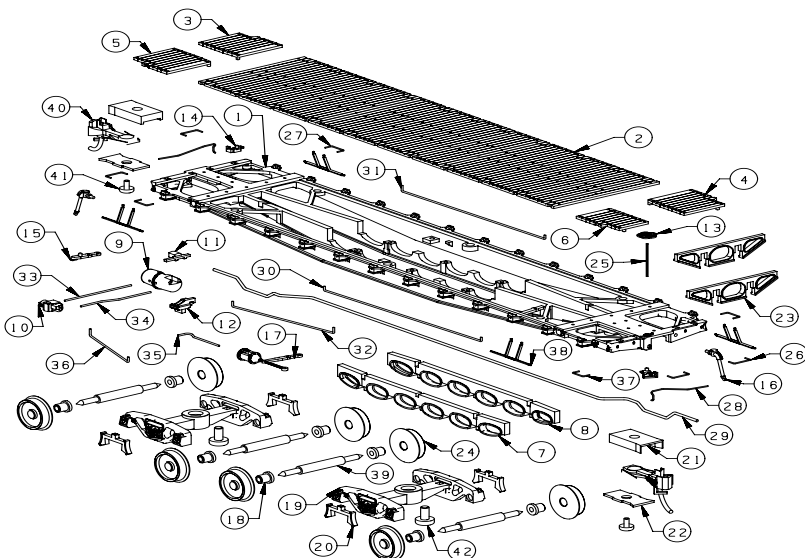
If there are any factory defects on your model we will do our very best to repair or replace it, subject to the availability of replacements and/or spare parts. Please contact us by phone 1-855-LRC-6917 or go to <https://rapidotrains.com/warranty> and send us an message.



Thank you for purchasing Rapido's HO model of the F30 flat car! These cars feature state-of-the-art tooling with separate grabs, crisp and accurate details and correct trucks with free-rolling turned metal wheelsets.

The Pennsylvania Railroad's class F30A flat cars were one of the most numerous classes of flat cars on that railroad with 1500 being built between 1933 and 1934. The PRR utilized a massive one-piece steel casting on these cars, and that sturdy construction meant that many lasted an incredibly long time. The cars were so successful that the PRR built another 250 nearly identical copies in 1951, classified as F30D.

F30A FLAT CAR PARTS DIAGRAM



42	SCREW 2X4 PB	2
41	SCREW 1.2X2.5 PM	2
40	COUPLER	2
39	5A-MT003	4
38	138-MT018	4
37	138-MT015	1
36	138-MT014	1
35	138-MT013	1
34	138-MT012	1
33	138-MT011	1
32	138-MT010	1
31	138-MT009	1
30	138-MT008	1
29	138-MT007	1
28	138-MT006	2
27	138-MT005	3
26	138-MT004	4
25	138-MT002	1
24	138-MT001	8
23	138-06-07	2
22	138-06-05	2
PC NO	PART NAME	QTY

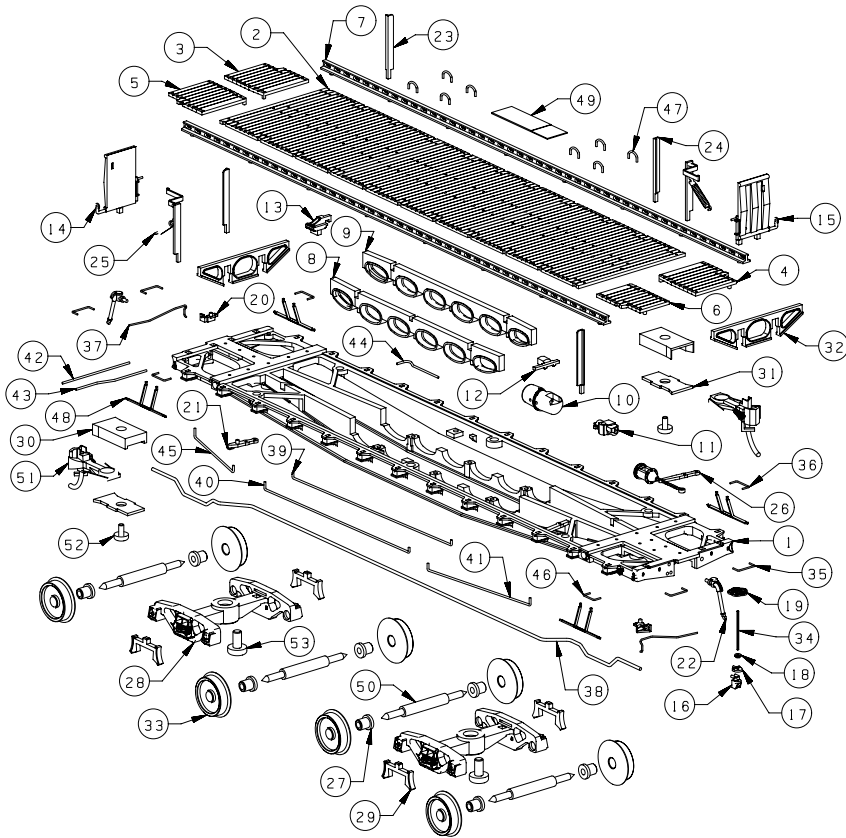
21	138-06-04	2
20	138-06-03	4
19	138-06-01	2
18	138-05-14	8
17	138-05-13	1
16	138-05-09	2
15	138-05-08	1
14	138-05-07	2
13	138-05-06	1
12	138-04-11	1
11	138-04-10	1
10	138-04-09	1
9	138-04-08	1
8	138-04-03	1
7	138-04-02	1
6	138-02-06	1
5	138-02-05	1
4	138-02-04	1
3	138-02-03	1
2	138-02-02	1
1	138-01-01	1
PC NO	PART NAME	QTY



CANADA: 500 ALDEN ROAD, UNIT 21 • MARKHAM, ONTARIO • L3R 5H5
 USA: PO BOX 796 • HIGGANUM • CONNECTICUT • 06441
 Tel. 1-855-LRC-6917 • Fax. 1-905-474-3325 • Email. trains@rapidotrains.com

RAPIDO

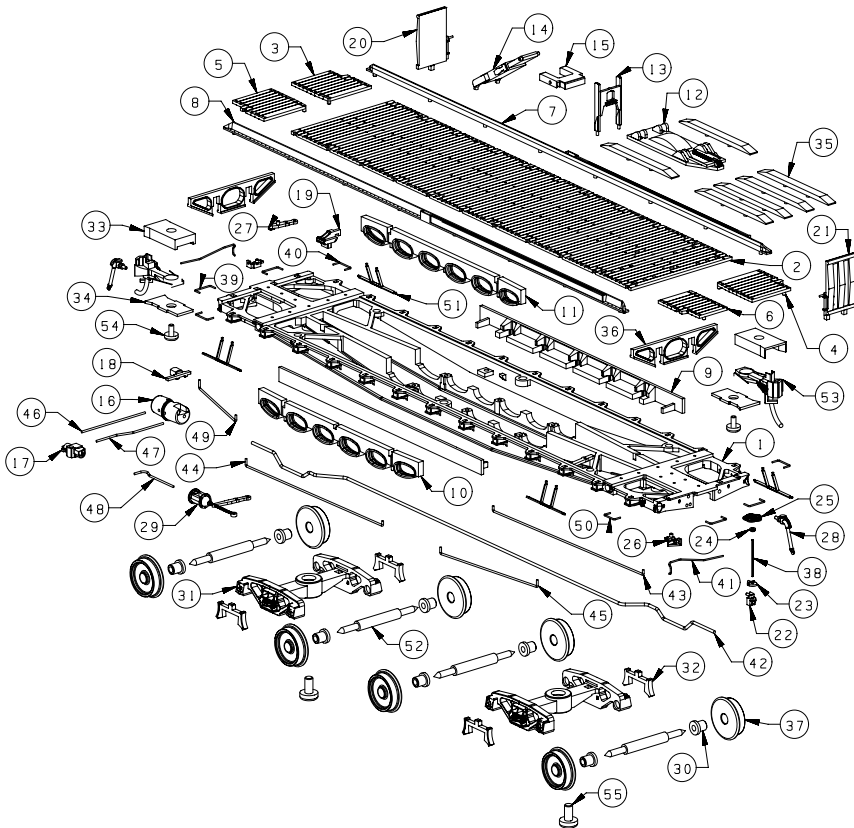
F30D PRR FLAT CAR PARTS DIAGRAM



53	SCREW 2X4 PB	2
52	SCREW 1.2X2.5 PM	2
51	COUPLER	2
50	5A-MT003	4
49	138-MT019	1
48	138-MT018	4
47	138-MT016	8
46	138-MT015	1
45	138-MT014	1
44	138-MT013	1
43	138-MT012	1
42	138-MT011	1
41	138-MT010	1
40	138-MT009	1
39	138-MT008	1
38	138-MT007	1
37	138-MT006	2
36	138-MT005	3
35	138-MT004	4
34	138-MT003	1
33	138-MT001	8
32	138-06-07	2
31	138-06-05	2
30	138-06-04	2
29	138-06-03	4
PC NO	PART NAME	QTY

28	138-06-02	2
27	138-05-14	8
26	138-05-13	1
25	138-05-12	2
24	138-05-11	2
23	138-05-10	2
22	138-05-09	2
21	138-05-08	1
20	138-05-07	2
19	138-05-06	1
18	138-05-05	1
17	138-05-04	1
16	138-05-03	1
15	138-04-15	1
14	138-04-14	1
13	138-04-11	1
12	138-04-10	1
11	138-04-09	1
10	138-04-08	1
9	138-04-03	1
8	138-04-02	1
7	138-03-03	2
6	138-02-06	1
5	138-02-05	1
4	138-02-04	1
3	138-02-03	1
2	138-02-02	1
1	138-01-02	1
PC NO	PART NAME	QTY

F30D TTX FLAT CAR PARTS DIAGRAM



55	SCREW 2X4 PB	2
54	SCREW 1.2X2.5 PM	2
53	COUPLER	2
52	5A-MT003	4
51	138-MT018	4
50	138-MT015	1
49	138-MT014	1
48	138-MT013	1
47	138-MT012	1
46	138-MT011	1
45	138-MT010	1
44	138-MT009	1
43	138-MT008	1
42	138-MT007	1
41	138-MT006	2
40	138-MT005	3
39	138-MT004	4
38	138-MT003	1
37	138-MT001	8
36	138-06-07	2
35	138-06-06	6
34	138-06-05	2
33	138-06-04	2
32	138-06-03	4
31	138-06-02	2
30	138-05-14	8
29	138-05-13	1
PC NO	PART NAME	QTY

28	138-05-09	2
27	138-05-08	1
26	138-05-07	2
25	138-05-06	1
24	138-05-05	1
23	138-05-04	1
22	138-05-03	1
21	138-04-13	1
20	138-04-12	1
19	138-04-11	1
18	138-04-10	1
17	138-04-09	1
16	138-04-08	1
15	138-04-07	1
14	138-04-06	1
13	138-04-05	1
12	138-04-04	1
11	138-04-03	1
10	138-04-02	1
9	138-04-01	2
8	138-03-02	1
7	138-03-01	1
6	138-02-06	1
5	138-02-05	1
4	138-02-04	1
3	138-02-03	1
2	138-02-01	1
1	138-01-02	1
PC NO	PART NAME	QTY



CANADA: 500 ALDEN ROAD, UNIT 21 • MARKHAM, ONTARIO • L3R 5H5
 USA: PO BOX 796 • HIGGANUM • CONNECTICUT • 06441
 Tel. 1-855-LRC-6917 • Fax. 1-905-474-3325 • Email. trains@rapidotrains.com

RAPIDO