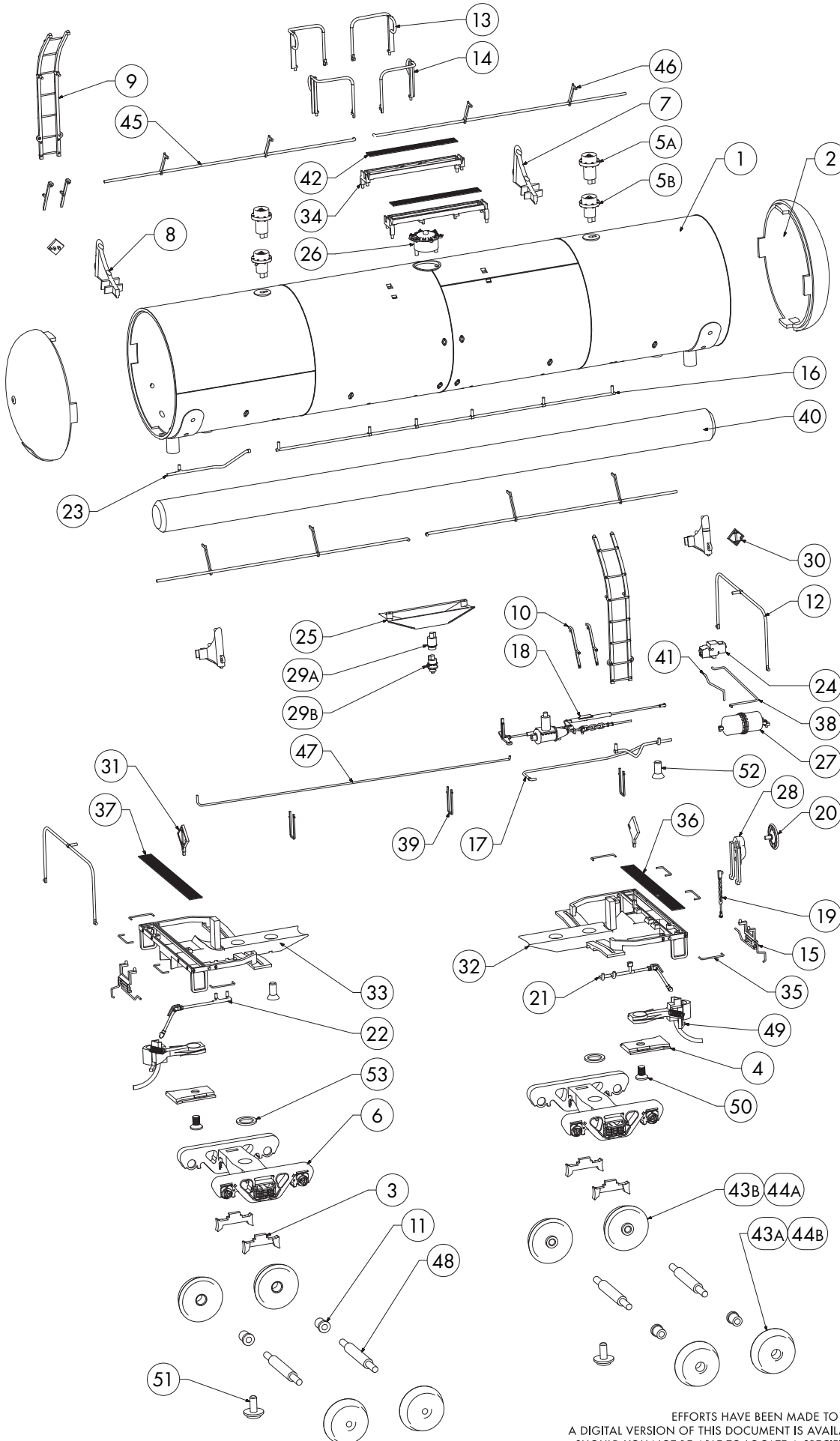


"GP20" 20,000 gallon Tank Car



53	135-03-05	2
52	SCREW 1 7x4 KB	2
51	SCREW 1 7x4 PWA	2
50	SCREW 1 7x3 FM	2
49	KADEE COUPLER	2
48	135-M016	4
47	135-M015	1
46	135-M014	8
45	135-M013	4
44A	135-M012 (36")	4
44B	135-M011 (36")	4
43A	135-M010 (33")	4
43B	135-M009 (33")	4
42	135-M008	2
41	135-M007	1
40	135-M006	1
39	135-M005	3
38	135-M004	1
37	135-M003	1
36	135-M002	1
35	135-M001	8
34	135-06-03	2
33	135-06-02	1
32	135-06-01	1
31	135-05-09	2
30	135-05-08	2
29A	135-05-07 (late)	1
29B	135-05-06 (early)	1
28	135-05-05	1
27	135-05-04	1
26	135-05-03	1
25	135-05-02	1
24	135-05-01	1
23	135-04-11	1
22	135-04-10	1
21	135-04-09	1
20	135-04-08	1
19	135-04-07	1
18	135-04-06	1
17	135-04-05	1
16	135-04-04	1
15	135-04-01	2
14	135-03-09	2
13	135-03-08	2
12	135-03-07	2
11	135-03-06	4
10	135-03-02	4
9	135-03-01	2
8	135-02-08	2
7	135-02-07	2
6	135-02-06	2
5A	135-02-05 (tall)	2
5B	135-02-04 (short)	2
4	135-02-03	2
3	135-02-02	4
2	135-02-01	2
1	135-01-01	1
PC NO	PART NAME	QTY

EFFORTS HAVE BEEN MADE TO ILLUSTRATE ALL PARTS FOUND ON THIS MODEL. A DIGITAL VERSION OF THIS DOCUMENT IS AVAILABLE FOR DOWNLOAD AT RAPIDOTRAINS.COM. SHOULD YOU NOT BE ABLE TO LOCATE A SPECIFIC PART, PLEASE CONTACT US FOR ASSISTANCE.