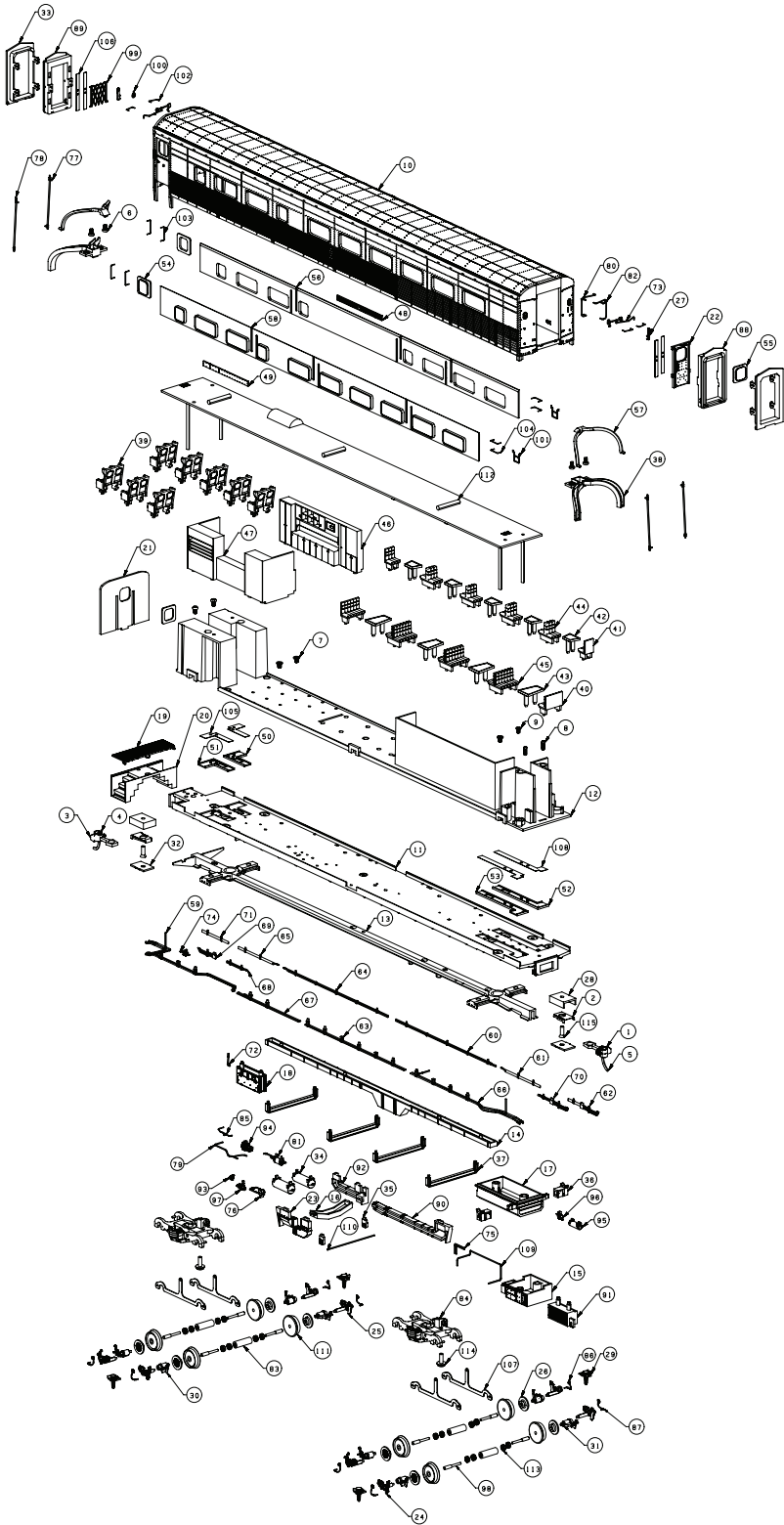


# tempo

## CAFE



58	131-08-06	1
57	131-08-05	2
56	131-08-04	1
55	131-08-03	2
54	131-08-02	2
53	131-07-11	1
52	131-07-10	1
51	131-07-09	1
50	131-07-08	1
49	131-07-07	1
48	131-07-06	1
47	131-07-04	1
46	131-07-03	1
45	131-06-09	3
44	131-06-07	4
43	131-06-06	4
42	131-06-05	5
41	131-06-04	2
40	131-06-03	2
39	131-06-01	8
38	131-05-15	2
37	131-05-14	4
36	131-05-13	2
35	131-05-12	2
34	131-05-11	2
33	131-05-10	2
32	131-05-09	2
31	131-05-08	4
30	131-05-07	4
29	131-05-06	4
28	131-05-05	2
27	131-05-04	2
26	131-05-03	8
25	131-05-02	4
24	131-05-01	4
23	131-04-11	1
22	131-04-10	1
21	131-04-08	1
20	131-04-07	1
19	131-04-06	1
18	131-04-05	1
17	131-04-04	1
16	131-04-03	1
15	131-04-02	1
14	131-03-05	1
13	131-03-04	1
12	131-03-03	1
11	131-02-03	1
10	131-01-03-CBL	1
9	1. 4X2. 5FB	1
8	1. 2X3. 5PB	2
7	1-17025DFB30	4
6	1-14025DPB	6
5	005	2
4	004	2
3	003	2
2	002	2
1	001	2
PC NO	PART NAME	QTY

115	SCREW_1_7X6_KB	2
114	SCREW_1_7X5_PWA	2
113	BALL BEARING	16
112	131-PCB-03	1
111	131-M017	8
110	131-M015	1
109	131-M014	1
108	131-M012	2
107	131-M011	4
106	131-M010	4
105	131-M009	2
104	131-M008	4
103	131-M007	4
102	131-M006	4
101	131-M005	2
100	131-M003	1
99	131-M002	1
98	131-M001	8
97	131-11-14	1
96	131-11-13	1
95	131-11-12	1
94	131-11-11	1
93	131-11-10	1
92	131-11-09	1
91	131-11-08	1
90	131-11-06	1
89	131-11-03	1
88	131-11-02	1
87	131-10-15	4
86	131-10-14	4
85	131-10-13	1
84	131-10-12	2
83	131-10-11	4
82	131-10-10	1
81	131-10-09	1
80	131-10-08	1
79	131-10-07	1
78	131-10-06	2
77	131-10-05	2
76	131-10-04	1
75	131-10-03	1
74	131-10-02	1
73	131-10-01	2
72	131-09-14	1
71	131-09-13	1
70	131-09-12	1
69	131-09-11	1
68	131-09-10	1
67	131-09-09	1
66	131-09-08	1
65	131-09-07	1
64	131-09-06	1
63	131-09-05	1
62	131-09-04	1
61	131-09-03	1
60	131-09-02	1
59	131-09-01	1
PC NO	PART NAME	QTY

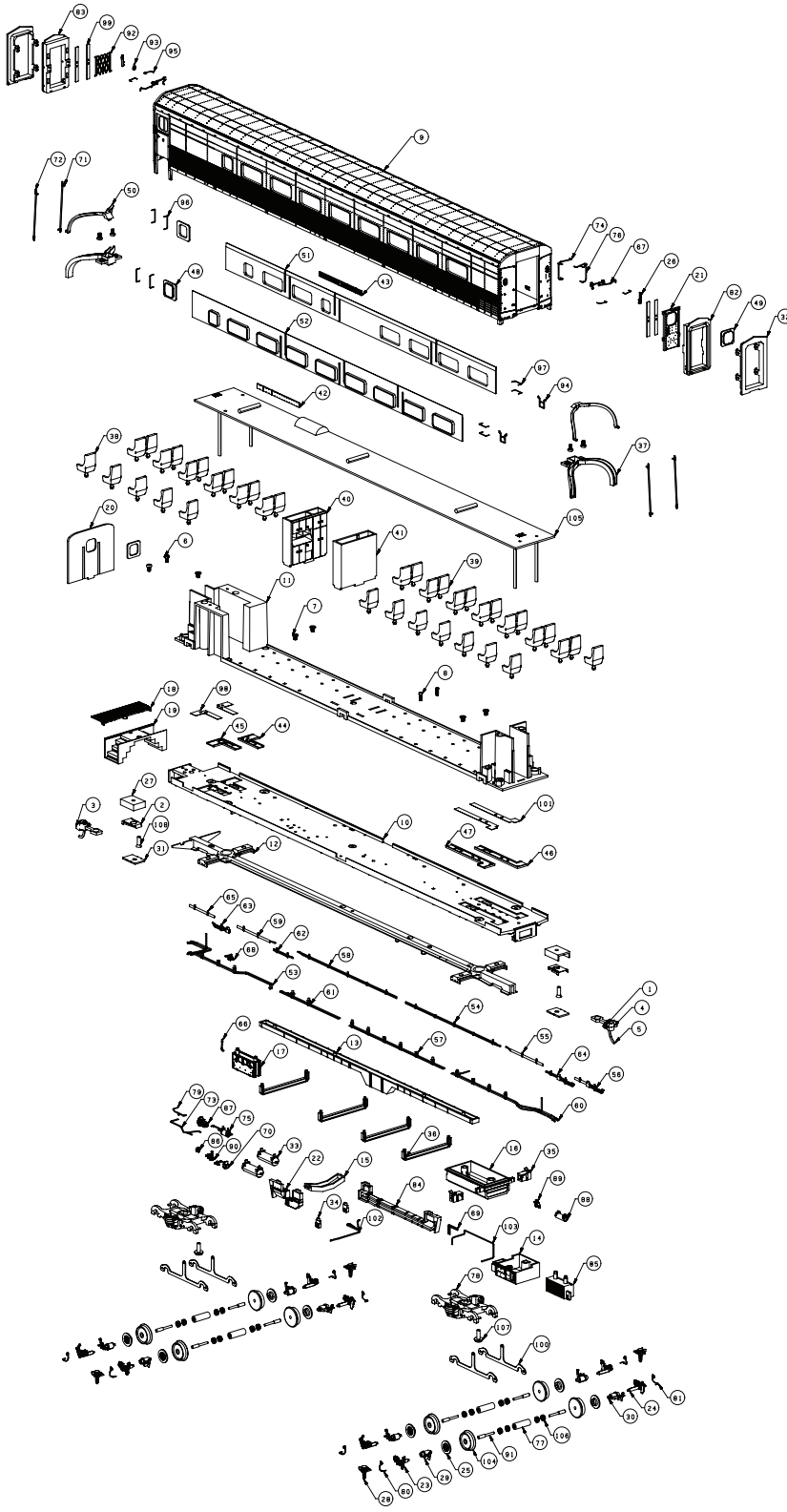


CANADA: 500 ALDEN ROAD, UNIT 21 • MARKHAM, ONTARIO • L3R 5H5  
 USA: PO BOX 796 • HIGGANUM • CONNECTICUT • 06441  
 Tel. 1-855-LRC-6917 • Fax. 1-905-474-3325 • Email. trains@rapidotrains.com

## RAPIDO

# tempo

## CLUB



54	131-09-02	1
53	131-09-01	1
52	131-08-08	1
51	131-08-07	1
50	131-08-05	2
49	131-08-03	2
48	131-08-02	2
47	131-07-11	1
46	131-07-10	1
45	131-07-09	1
44	131-07-08	1
43	131-07-06	1
42	131-07-05	1
41	131-07-02	1
40	131-07-01	1
39	131-06-08	13
38	131-06-02	13
37	131-05-15	2
36	131-05-14	4
35	131-05-13	2
34	131-05-12	2
33	131-05-11	2
32	131-05-10	2
31	131-05-09	2
30	131-05-08	4
29	131-05-07	4
28	131-05-06	4
27	131-05-05	2
26	131-05-04	2
25	131-05-03	8
24	131-05-02	4
23	131-05-01	4
22	131-04-11	1
21	131-04-10	1
20	131-04-08	1
19	131-04-07	1
18	131-04-06	1
17	131-04-05	1
16	131-04-04	1
15	131-04-03	1
14	131-04-02	1
13	131-03-05	1
12	131-03-04	1
11	131-03-02	1
10	131-02-02	1
9	131-01-02-CLUB	1
8	1.2X3.5PB	2
7	1-17025DFB30	5
6	1-14025DPB	6
5	005	2
4	004	2
3	003	2
2	002	2
1	001	2
PC NO	PART NAME	QTY

108	SCREW_1_7X6_KB	2
107	SCREW_1_7X5_PWA	2
106	BALL BEARING	16
105	131-PCB-02	1
104	131-M017	8
103	131-M014	1
102	131-M013	1
101	131-M012	2
100	131-M011	4
99	131-M010	4
98	131-M009	2
97	131-M008	4
96	131-M007	4
95	131-M006	4
94	131-M005	2
93	131-M003	1
92	131-M002	1
91	131-M001	8
90	131-11-14	1
89	131-11-13	1
88	131-11-12	1
87	131-11-11	1
86	131-11-10	1
85	131-11-08	1
84	131-11-05	1
83	131-11-03	1
82	131-11-02	1
81	131-10-15	4
80	131-10-14	4
79	131-10-13	1
78	131-10-12	2
77	131-10-11	4
76	131-10-10	1
75	131-10-09	1
74	131-10-08	1
73	131-10-07	1
72	131-10-06	2
71	131-10-05	2
70	131-10-04	1
69	131-10-03	1
68	131-10-02	1
67	131-10-01	2
66	131-09-14	1
65	131-09-13	1
64	131-09-12	1
63	131-09-11	1
62	131-09-10	1
61	131-09-09	1
60	131-09-08	1
59	131-09-07	1
58	131-09-06	1
57	131-09-05	1
56	131-09-04	1
55	131-09-03	1
PC NO	PART NAME	QTY

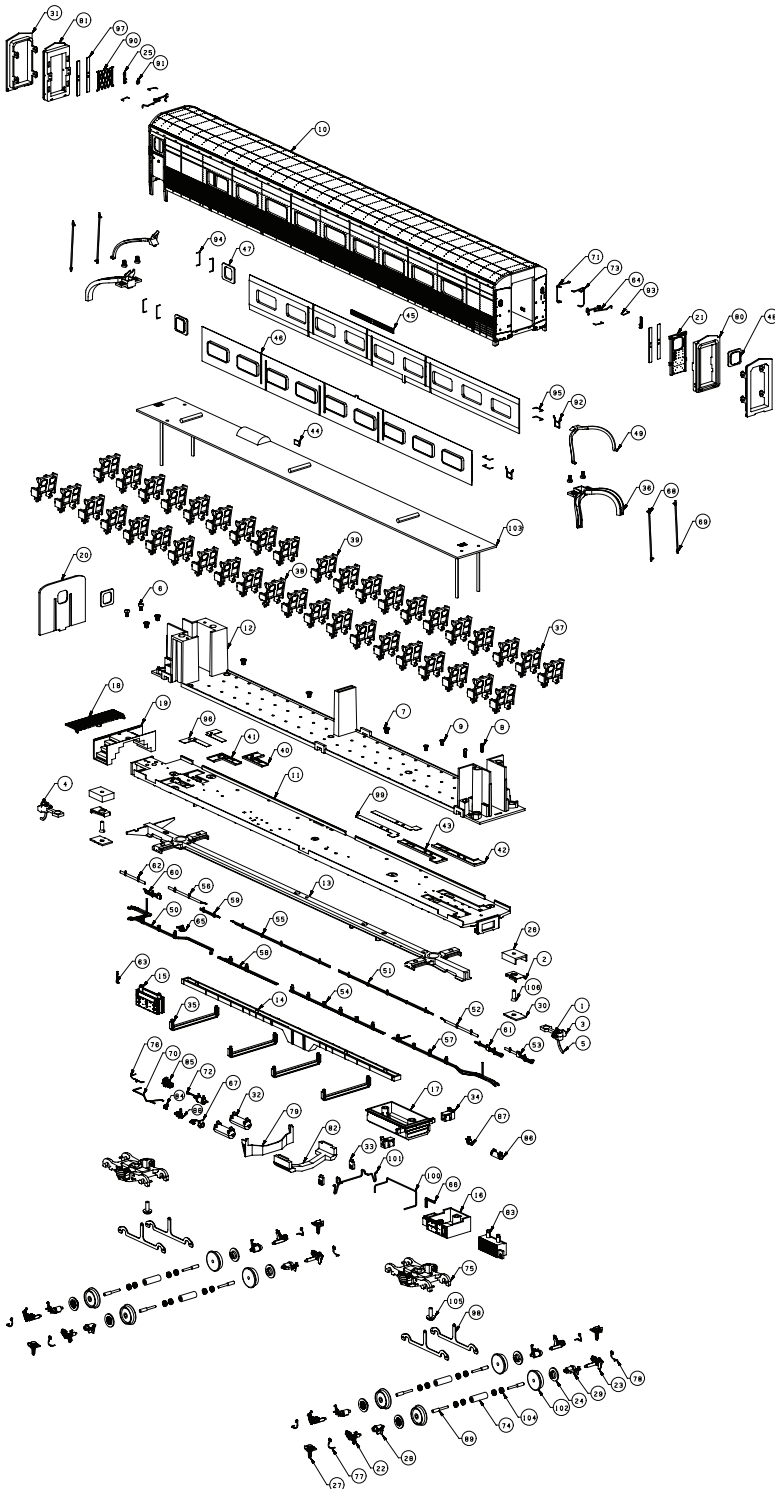


CANADA: 500 ALDEN ROAD, UNIT 21 • MARKHAM, ONTARIO • L3R 5H5  
 USA: PO BOX 796 • HIGGANUM • CONNECTICUT • 06441  
 Tel. 1-855-LRC-6917 • Fax. 1-905-474-3325 • Email. trains@rapidotrains.com

## RAPIDO

# tempo

# COACH



53	131-09-04	1
52	131-09-03	1
51	131-09-02	1
50	131-09-01	1
49	131-08-05	2
48	131-08-03	2
47	131-08-02	2
46	131-08-01	2
45	131-07-13	1
44	131-07-12	1
43	131-07-11	1
42	131-07-10	1
41	131-07-09	1
40	131-07-08	1
39	131-06-11	1
38	131-06-10	1
37	131-06-01	39
36	131-05-15	2
35	131-05-14	4
34	131-05-13	2
33	131-05-12	2
32	131-05-11	2
31	131-05-10	2
30	131-05-09	2
29	131-05-08	4
28	131-05-07	4
27	131-05-06	4
26	131-05-05	2
25	131-05-04	2
24	131-05-03	8
23	131-05-02	4
22	131-05-01	4
21	131-04-10	1
20	131-04-08	1
19	131-04-07	1
18	131-04-06	1
17	131-04-04	1
16	131-04-02	1
15	131-04-01	1
14	131-03-05	1
13	131-03-04	1
12	131-03-01	1
11	131-02-01	1
10	131-01-01-COACH	1
9	1.4X2.5FB	2
8	1.2X3.5PB	2
7	1-17025DFB30	5
6	1-14025DPB	6
5	005	2
4	004	2
3	003	2
2	002	2
1	001	2
PC NO	PART NAME	QTY

106	SCREW_1.7X6_KB	2
105	SCREW_1.7X5_PWA	2
104	BALL BEARING	16
103	131-PCB-01	1
102	131-M017	8
101	131-M016	1
100	131-M014	1
99	131-M012	2
98	131-M011	4
97	131-M010	4
96	131-M009	2
95	131-M008	4
94	131-M007	4
93	131-M006	4
92	131-M005	2
91	131-M003	1
90	131-M002	1
89	131-M001	8
88	131-11-14	1
87	131-11-13	1
86	131-11-12	1
85	131-11-11	1
84	131-11-10	1
83	131-11-07	1
82	131-11-04	1
81	131-11-03	1
80	131-11-02	1
79	131-11-01	1
78	131-10-15	4
77	131-10-14	4
76	131-10-13	1
75	131-10-12	2
74	131-10-11	4
73	131-10-10	1
72	131-10-09	1
71	131-10-08	1
70	131-10-07	1
69	131-10-06	2
68	131-10-05	2
67	131-10-04	1
66	131-10-03	1
65	131-10-02	1
64	131-10-01	2
63	131-09-14	1
62	131-09-13	1
61	131-09-12	1
60	131-09-11	1
59	131-09-10	1
58	131-09-09	1
57	131-09-08	1
56	131-09-07	1
55	131-09-06	1
54	131-09-05	1
PC NO	PART NAME	QTY



CANADA: 500 ALDEN ROAD, UNIT 21 • MARKHAM, ONTARIO • L3R 5H5  
 USA: PO BOX 796 • HIGGANUM • CONNECTICUT • 06441  
 Tel. 1-855-LRC-6917 • Fax. 1-905-474-3325 • Email. trains@rapidotrains.com

# RAPIDO