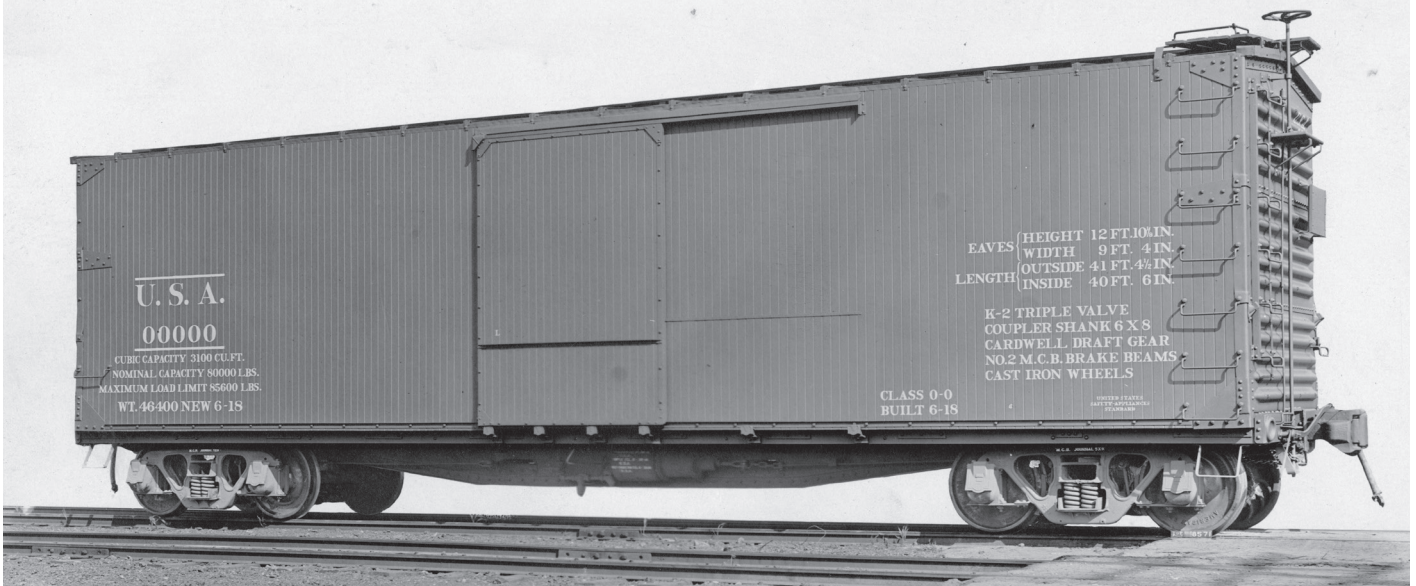


USRA 40' DOUBLE-SHEATHED BOXCAR



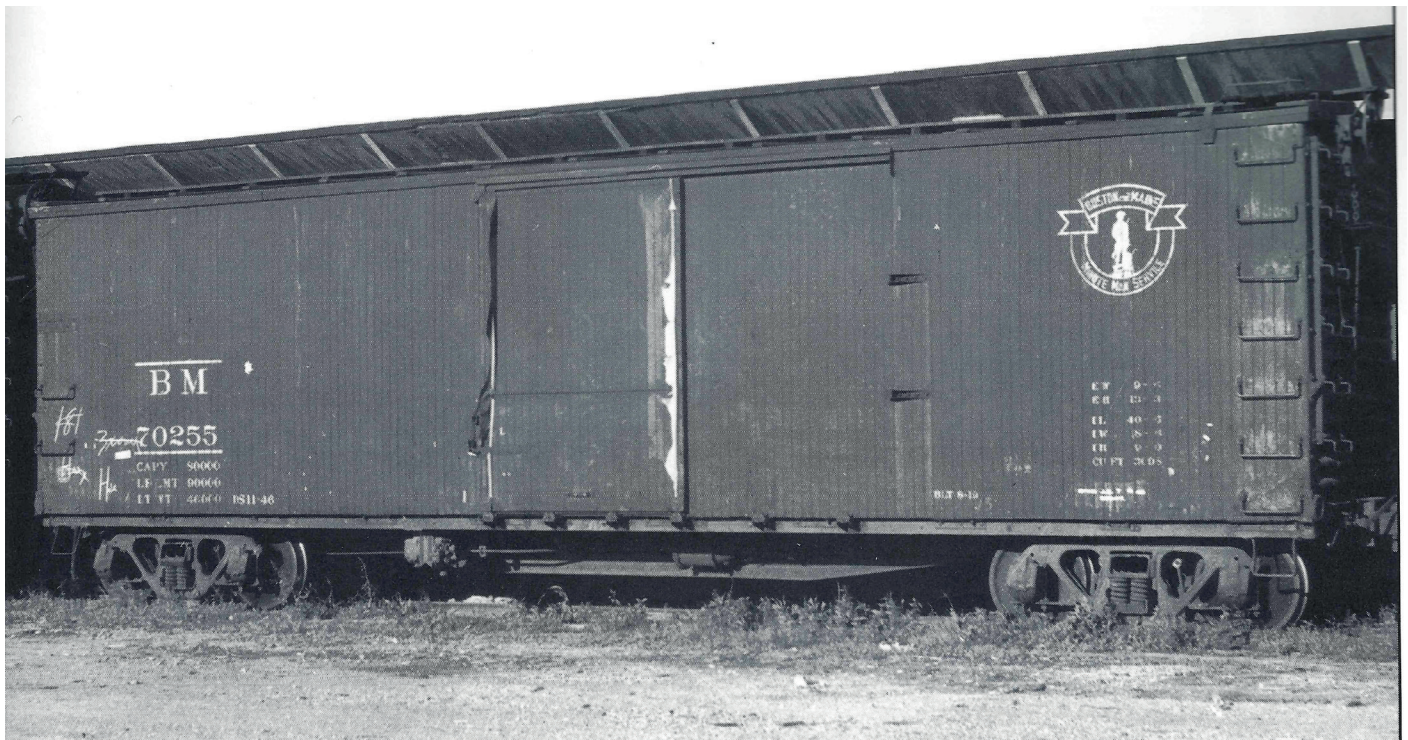
AC&F photo, John W. Barriger III National Railroad Library Collection

During World War I the US railroads were struggling to keep up with wartime traffic, in part because of a shortage of serviceable freight cars. In an attempt to solve this problem, President Wilson nationalized the railroads under the United States Railway Administration, or USRA. One of the first tasks assigned to the USRA was to develop common designs for new freight cars. Among these was a 40' double-sheathed wood boxcar with a fishbelly steel underframe.

Rapido's new model of the USRA double-sheathed boxcar features an all-new body with correct fishbelly underframe and correct free-standing details. Models will be equipped with either KC or AB brakes as appropriate. These cars fill a need for a state-of-the-art model of this common car on any transition-era or earlier period layout.

Starting in 1918, nearly 25,000 copies of the double-sheathed boxcar were built and delivered to 24 railroads throughout the country. The cars were well received, and many cars continued in regular service on many roads into the 1950s with many updated to the newer AB-brake system.

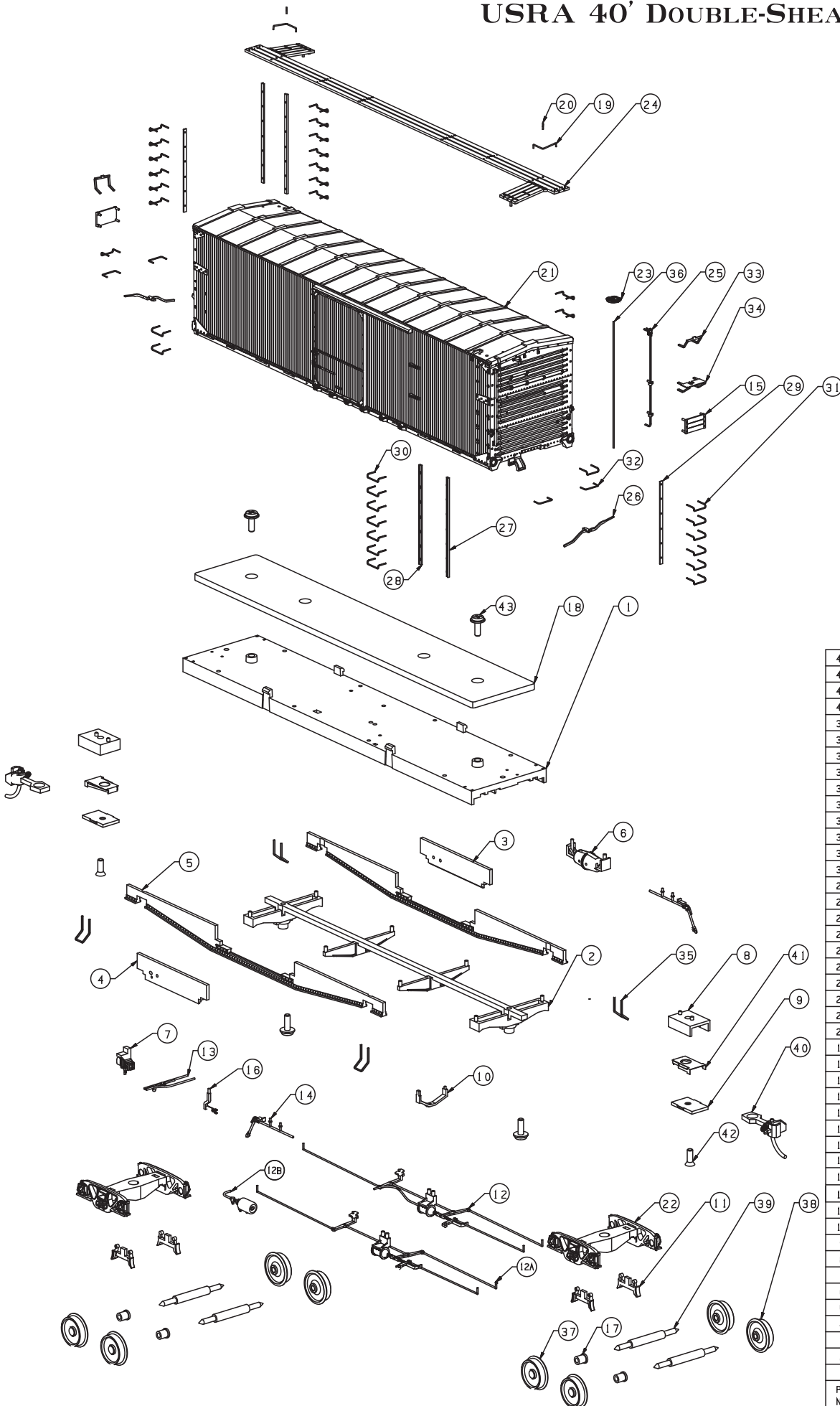
We want to thank the people that helped make this model possible. Thanks in particular to the Ted Culotta, Gene Green, Douglas Harding, Ed Hawkins and Paul Tupaczewski for their help in making this model a reality.



CANADA: 500 ALDEN ROAD, UNIT 21 • MARKHAM, ONTARIO • L3R 5H5
 USA: PO BOX 796 • HIGGANUM • CONNECTICUT • 06441
 Tel. 1-855-LRC-6917 • Fax. 1-905-474-3325 • Email. trains@rapidotrains.com

RAPIDO

USRA 40' DOUBLE-SHEATHED BOXCAR



43	SCREW 1.7X5 PWB	4
42	SCREW 1.7X5 KB	2
41	RTR301-MT001	2
40	METAL COUPLER MEDIUM	2
39	5A-MT003	4
38	5A-MT002	4
37	5A-MT001	4
36	130A-M008	1
35	130A-M007	4
34	130A-M006	1
33	130A-M005	2
32	130A-M004	4
31	130A-M003	14
30	130A-M002	18
29	130A-M001	2
28	130A-02-07	2
27	130A-02-06	2
26	130A-02-05	2
25	130A-02-04	1
24	130A-02-03	1
23	130A-02-02	1
22	130A-02-01	2
21	130A-01-01	1
20	130-MT007	2
19	130-MT006	2
18	130-MT001	1
17	130-04-14	4
16	130-04-13	1
15	130-04-09	2
14	130-04-03	2
13	130-04-02	1
12B	130-04-15	1
12A	130-04-01 R2	1
12	130-04-01	1
11	130-03-08	4
10	130-03-06	1
9	130-03-05	2
8	130-03-04	2
7	130-03-03	1
6	130-03-02	1
5	130-03-01	2
4	130-02-05	1
3	130-02-04	1
2	130-02-02	1
1	130-02-01	1
PC	PART NAME	QTY



CANADA: 500 ALDEN ROAD, UNIT 21 • MARKHAM, ONTARIO • L3R 5H5
 USA: PO BOX 796 • HIGGANUM • CONNECTICUT • 06441
 Tel. 1-855-LRC-6917 • Fax. 1-905-474-3325 • Email. trains@rapidotrains.com

RAPIDO