

# NORTHERN PACIFIC 10000-SERIES 40' DOUBLE-SHEATHED BOXCAR



NPRHA Photo

Starting in 1923 the Northern Pacific ordered more than 4,000 double-sheathed cars in the 10000-13999 series. This large group shared many common features, including steel ends with lumber doors, radial roofs and lever handbrakes. These cars were used in general service and amazingly lasted in revenue service until 1970 and in company service for another 12 years. Because of their large number they could be found on freight trains across North America.

The cars were delivered in a rather simple scheme with arched "Northern Pacific" lettering and K-brakes. Starting around 1940 a 36" monad was added to the right of the door. Around this time the cars started to be converted to AB brakes, a gradual process that would take several years. Around 1951 the monad was changed to a 48" monad and the slogan "Main Street of the Northwest" was added around 1951.

Rapido's model has been scaled from original blueprints and field measurements with the assistance of the NPRHA. We have included either AB or K brakes as appropriate to the era of the lettering scheme.

If there are any factory defects on your boxcar we will do our very best to repair or replace it, subject to the availability of replacements and/or spare parts. Please contact us by phone 1-855-LRC-6917 or email [rapidotrains.com/contact-us/](mailto:rapidotrains.com/contact-us/).

We want to thank the people that helped make this model possible. Thanks in particular to the Northern Pacific Railway Historical Association, James Dick, Aaron Gjermundson, Ed Hawkins and Jerry Stewart. A special thanks goes to Dean O'Neill for his help in the development and for providing the artwork used on these models.

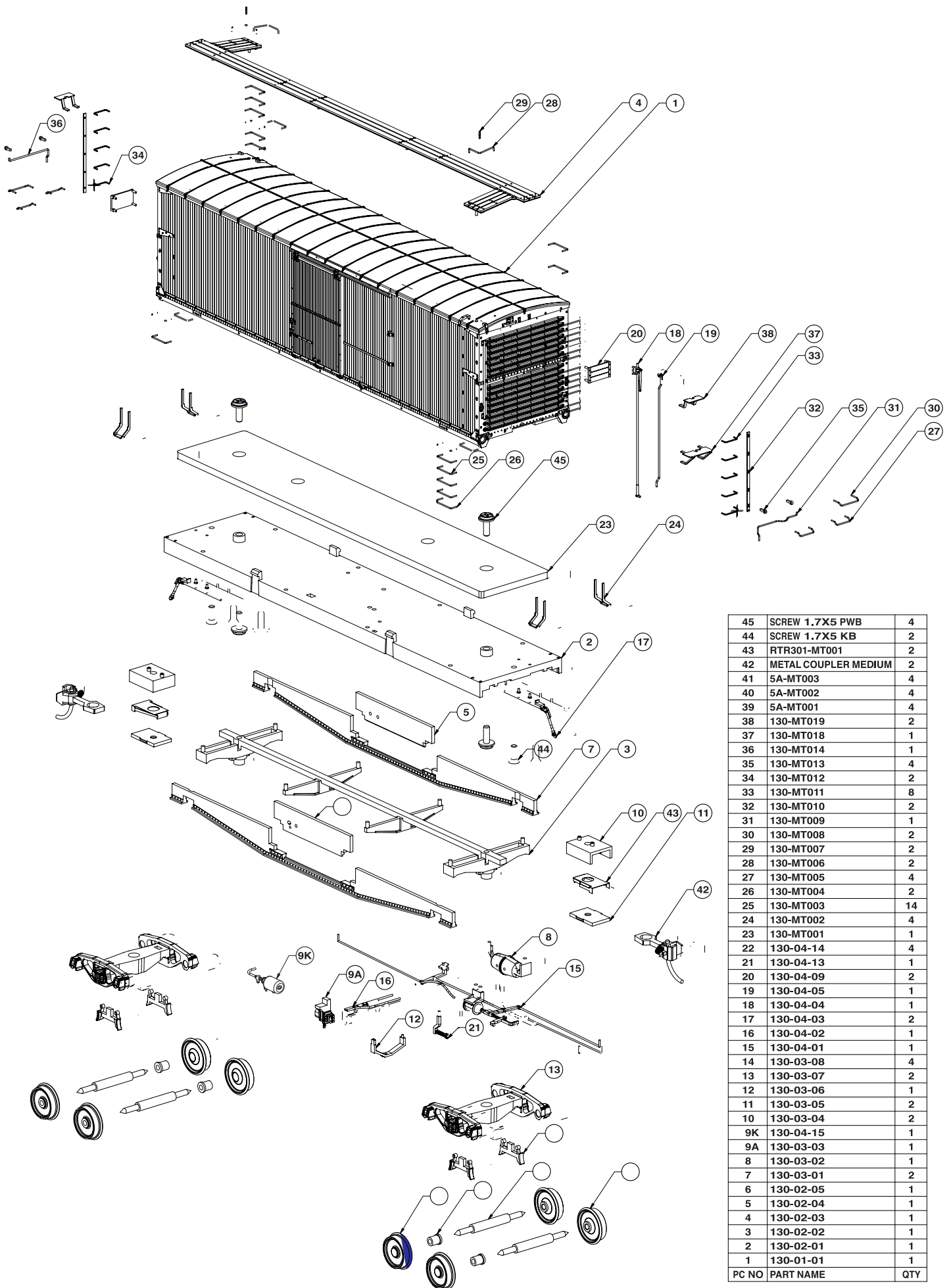


Collectibles by Bob's Photos



CANADA: 500 ALDEN ROAD, UNIT 21 • MARKHAM, ONTARIO • L3R 5H5  
USA: PO BOX 796 • HIGGANUM • CONNECTICUT • 06441  
Tel. 1-855-LRC-6917 • Fax. 1-905-474-3325 • Email. [trains@rapidotrains.com](mailto:trains@rapidotrains.com)

**RAPIDO**



45	SCREW 1.7X5 PWB	4
44	SCREW 1.7X5 KB	2
43	RTR301-MT001	2
42	METAL COUPLER MEDIUM	2
41	5A-MT003	4
40	5A-MT002	4
39	5A-MT001	4
38	130-MT019	2
37	130-MT018	1
36	130-MT014	1
35	130-MT013	4
34	130-MT012	2
33	130-MT011	8
32	130-MT010	2
31	130-MT009	1
30	130-MT008	2
29	130-MT007	2
28	130-MT006	2
27	130-MT005	4
26	130-MT004	2
25	130-MT003	14
24	130-MT002	4
23	130-MT001	1
22	130-04-14	4
21	130-04-13	1
20	130-04-09	2
19	130-04-05	1
18	130-04-04	1
17	130-04-03	2
16	130-04-02	1
15	130-04-01	1
14	130-03-08	4
13	130-03-07	2
12	130-03-06	1
11	130-03-05	2
10	130-03-04	2
9K	130-04-15	1
9A	130-03-03	1
8	130-03-02	1
7	130-03-01	2
6	130-02-05	1
5	130-02-04	1
4	130-02-03	1
3	130-02-02	1
2	130-02-01	1
1	130-01-01	1
PC NO	PART NAME	QTY



CANADA: 500 ALDEN ROAD, UNIT 21 • MARKHAM, ONTARIO • L3R 5H5  
 USA: PO BOX 796 • HIGGANUM • CONNECTICUT • 06441  
 Tel. 1-855-LRC-6917 • Fax. 1-905-474-3325 • Email. trains@rapidotrains.com

**RAPIDO**