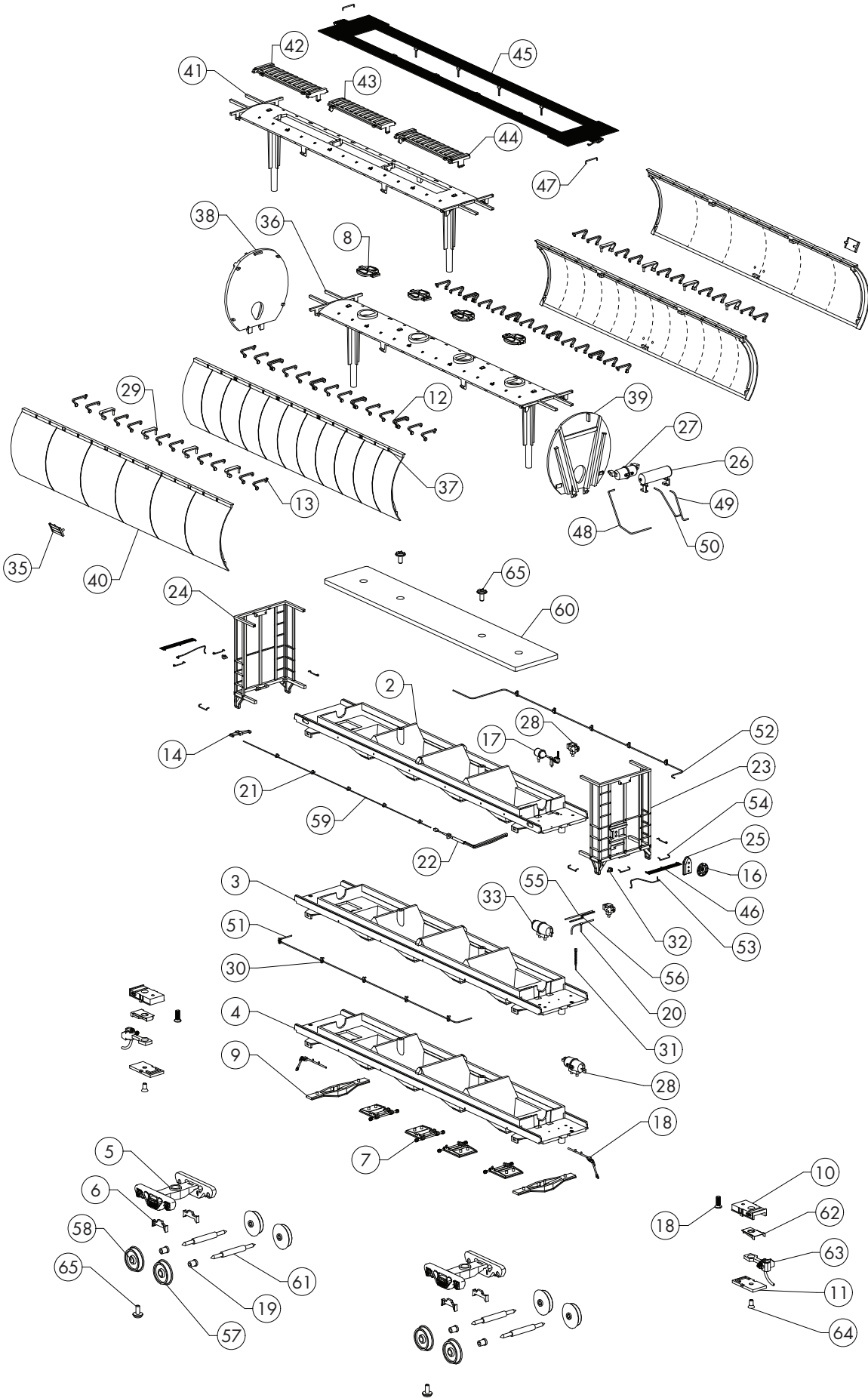


L'ÉCHELLE HO SCALE

# 3800 CU FT CANADIAN CYLINDRICAL HOPPER WAGON-TRÉMIE CYLINDRIQUE DE 3800 PIEDS CUBES



|    |                    |    |
|----|--------------------|----|
| 65 | SCREW 1.7X4 PWB    | 4  |
| 64 | SCREW 1.7X3.5 KB   | 2  |
| 63 | METAL COUPLER LONG | 2  |
| 62 | GF-MT003           | 2  |
| 61 | 5A-MT003           | 4  |
| 60 | 130-MT001          | 1  |
| 59 | 127-MT016          | 1  |
| 58 | 127-MT015          | 4  |
| 57 | 127-MT014          | 4  |
| 56 | 127-MT013          | 1  |
| 55 | 127-MT012          | 1  |
| 54 | 127-MT011          | 8  |
| 53 | 127-MT010          | 2  |
| 52 | 127-MT009          | 1  |
| 51 | 127-MT008          | 1  |
| 50 | 127-MT007          | 1  |
| 49 | 127-MT006          | 1  |
| 48 | 127-MT005          | 1  |
| 47 | 127-MT004          | 2  |
| 46 | 127-MT002          | 2  |
| 45 | 127-MT001          | 1  |
| 44 | 127-08-09          | 1  |
| 43 | 127-08-08          | 1  |
| 42 | 127-08-07          | 1  |
| 41 | 127-08-06          | 1  |
| 40 | 127-08-05          | 2  |
| 39 | 127-08-04          | 1  |
| 38 | 127-08-03          | 1  |
| 37 | 127-08-02          | 2  |
| 36 | 127-08-01          | 1  |
| 35 | 127-06-07          | 2  |
| 34 | 127-06-06          | 1  |
| 33 | 127-06-05          | 1  |
| 32 | 127-06-04          | 2  |
| 31 | 127-06-03          | 1  |
| 30 | 127-06-02          | 10 |
| 29 | 127-06-01          | 8  |
| 28 | 127-05-07          | 2  |
| 27 | 127-05-06          | 1  |
| 26 | 127-05-05          | 1  |
| 25 | 127-05-04          | 1  |
| 24 | 127-05-02          | 1  |
| 23 | 127-05-01          | 1  |
| 22 | 127-04-11          | 1  |
| 21 | 127-04-10          | 5  |
| 20 | 127-04-09          | 1  |
| 19 | 127-04-08          | 4  |
| 18 | 127-04-07          | 2  |
| 17 | 127-04-04          | 1  |
| 16 | 127-04-03          | 1  |
| 15 | 127-04-02          | 1  |
| 14 | 127-04-01          | 1  |
| 13 | 127-03-09          | 8  |
| 12 | 127-03-08          | 48 |
| 11 | 127-03-07          | 2  |
| 10 | 127-03-06          | 2  |
| 9  | 127-03-05          | 2  |
| 8  | 127-03-04          | 4  |
| 7  | 127-03-03          | 4  |
| 6  | 127-03-02          | 4  |
| 5  | 127-03-01          | 2  |
| 4  | 127-02-03          | 1  |
| 3  | 127-02-02          | 1  |
| 2  | 127-02-01          | 1  |
| 1  | SCREW 1.7X5 KB     | 2  |

EFFORTS HAVE BEEN MADE TO ILLUSTRATE ALL PARTS FOUND ON THIS MODEL.  
A DIGITAL VERSION OF THIS DOCUMENT IS AVAILABLE FOR DOWNLOAD AT RAPIDOTRAINS.COM.  
SHOULD YOU NOT BE ABLE TO LOCATE A SPECIFIC PART, PLEASE CONTACT US FOR ASSISTANCE.

PC NO PART NAME QTY